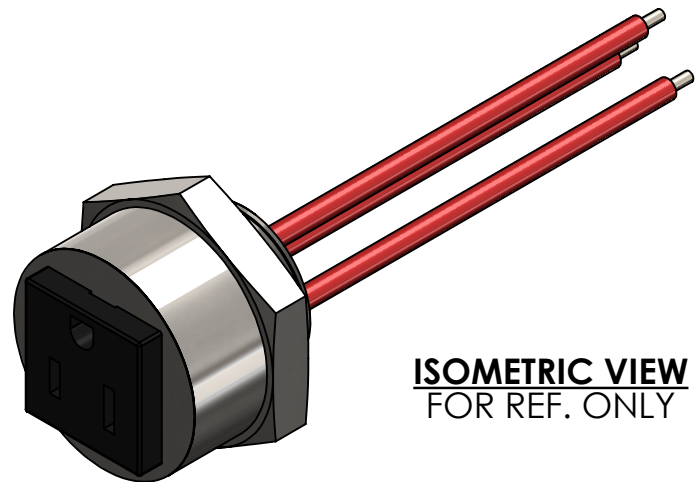


2

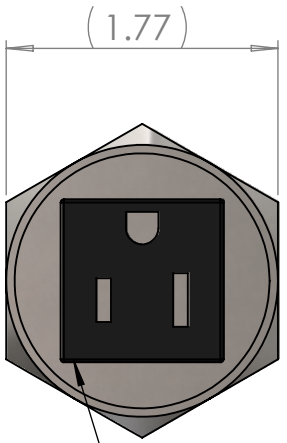
1

B

B

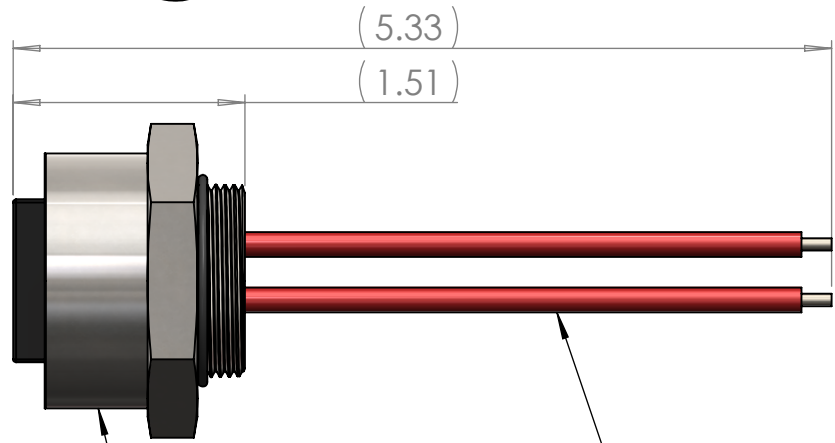


**ISOMETRIC VIEW  
FOR REF. ONLY**



(1.77)

120V FEMALE RECEPTACLE

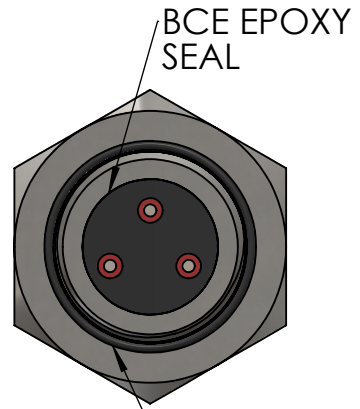


(5.33)

(1.51)

SS304 THREADED ADAPTER

3X TEFLON INSULATED LEADS



BCE EPOXY SEAL

O-RING

**NOTES**

1. 120V, 15A ELECTRICAL FEEDTHROUGH
2. HELIUM LEAK TEST:  $10^{-7}$  Torr
3. MAXIMUM OPERATING TEMPERATURE: 100°C
4. OTHER OPTIONS AVAILABLE FOR
  - ADAPTER
  - RECEPTACLE
  - LEADS

**PROPRIETARY AND CONFIDENTIAL**  
 THE INFORMATION CONTAINED IN THIS DRAWING IS THE SOLE PROPERTY OF BELLOVE CO. ENGINEERS. ANY REPRODUCTION IN PART OR AS A WHOLE WITHOUT THE WRITTEN PERMISSION OF BELLOVE CO. ENGINEERS IS PROHIBITED.

UNLESS OTHERWISE SPECIFIED:	
DIMENSIONS ARE IN INCHES	
TOLERANCES:	
FRACTIONAL ±	
ANGULAR: MACH ± BEND ±	
TWO PLACE DECIMAL ± .010	
THREE PLACE DECIMAL ± .005	
INTERPRET GEOMETRIC TOLERANCING PER:	
MATERIAL	SEE DWG
FINISH	N/A
DO NOT SCALE DRAWING	



TITLE:  
**120V SOCKET  
 VACUUM FEEDTHROUGH**

SIZE	DWG. NO.	REV
<b>A</b>	<b>BCE10026</b>	<b>A</b>
SCALE: NTS	WEIGHT: N/A	SHEET 1 OF 1

A

A

2

1