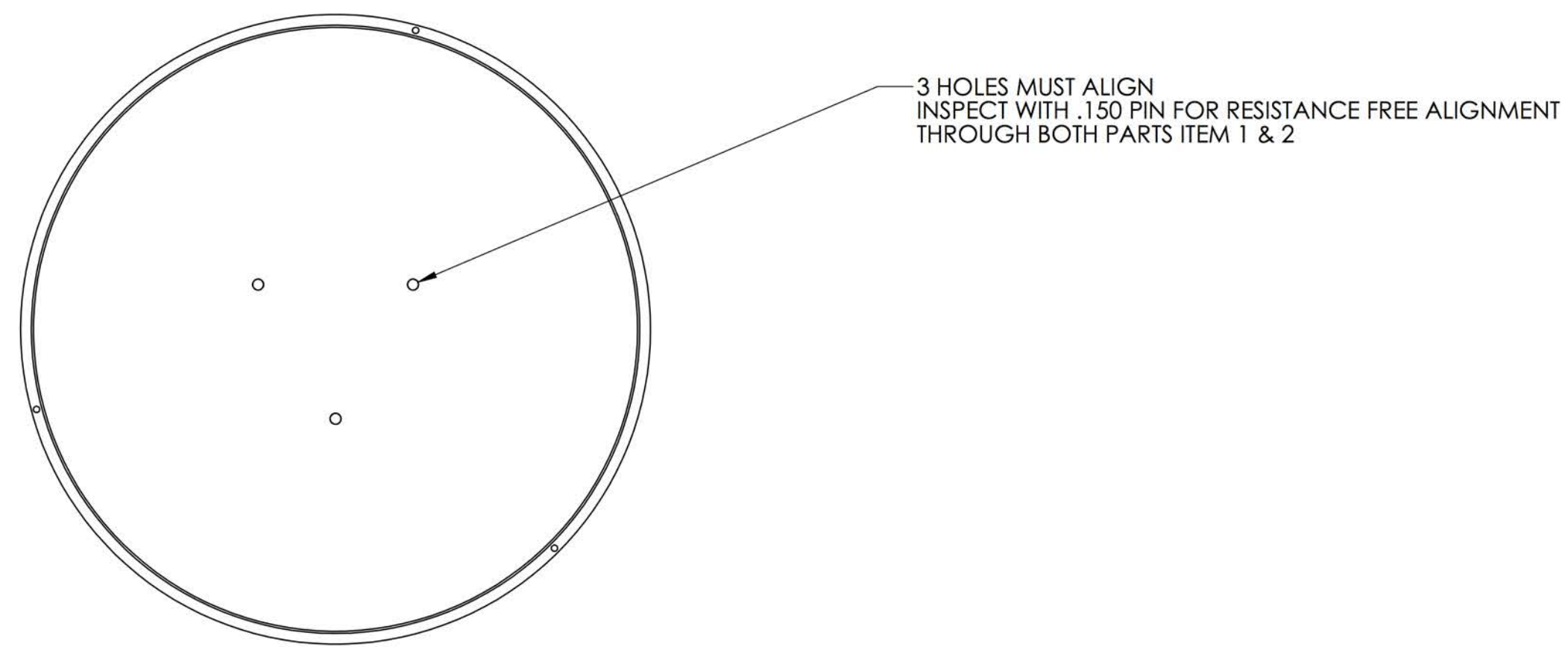
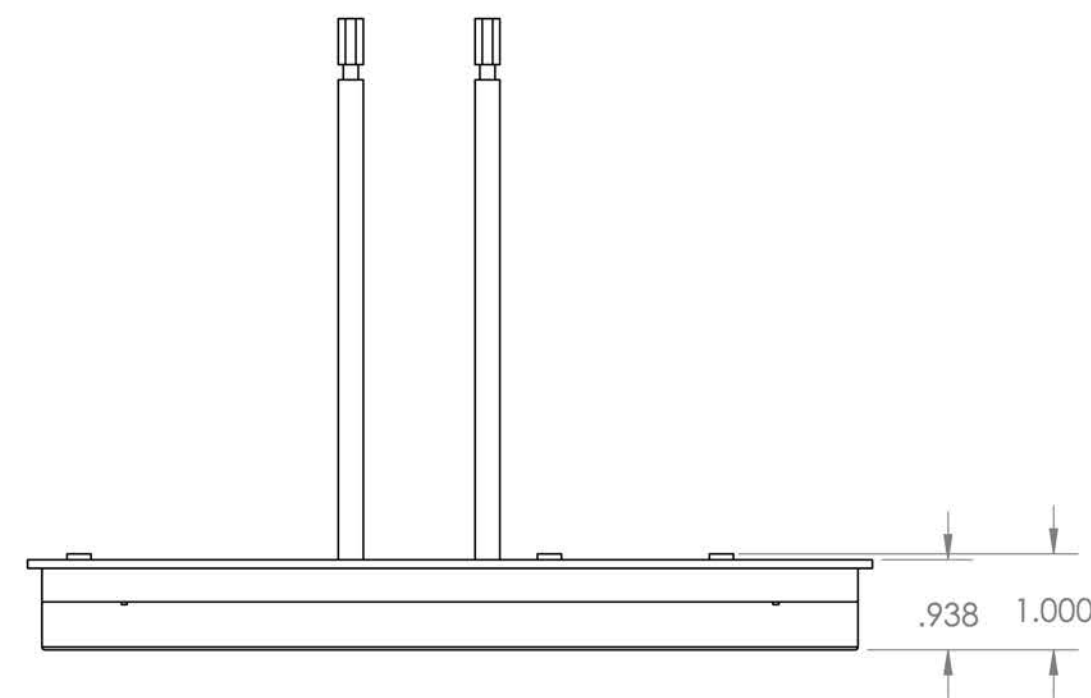
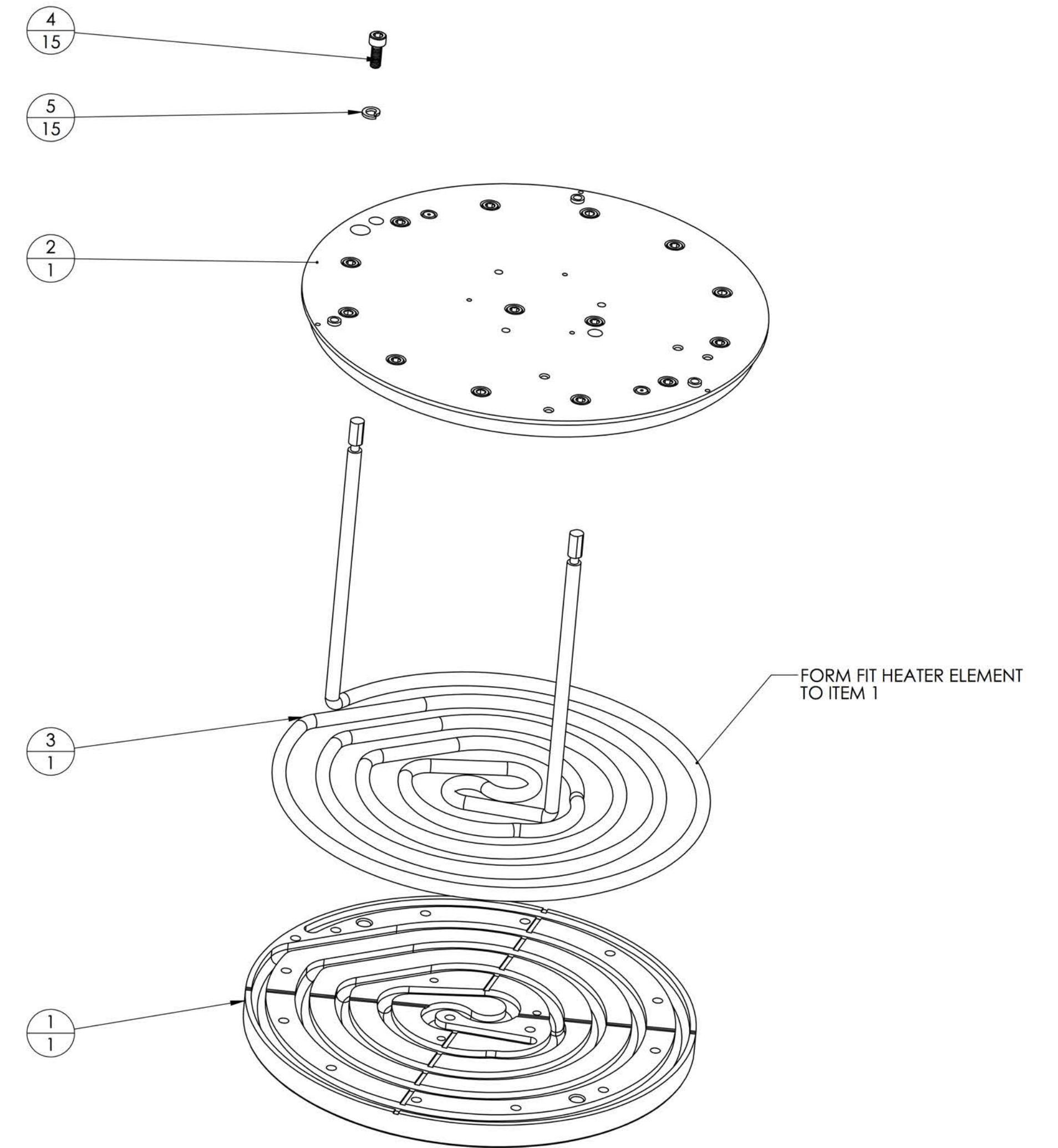
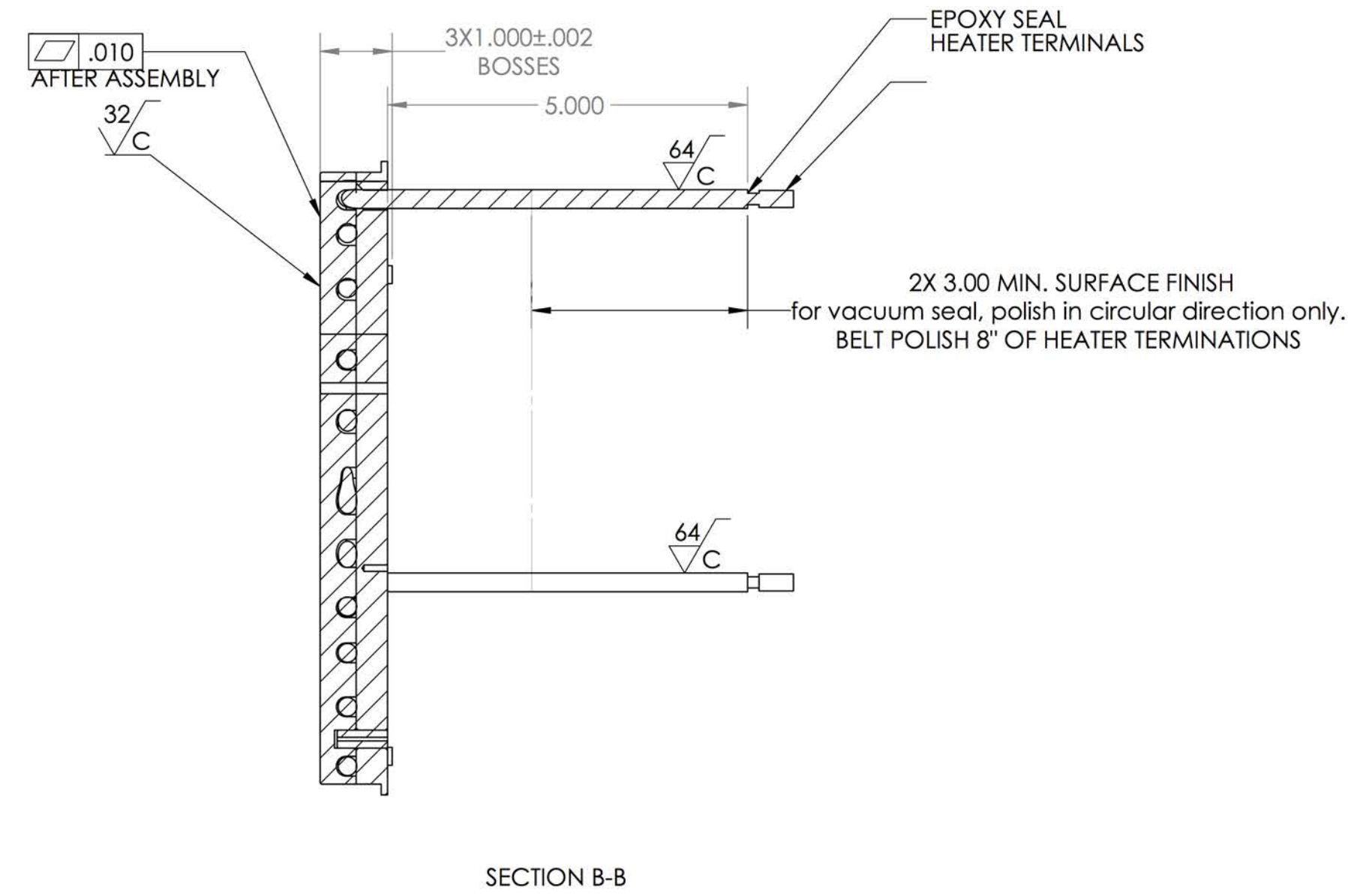
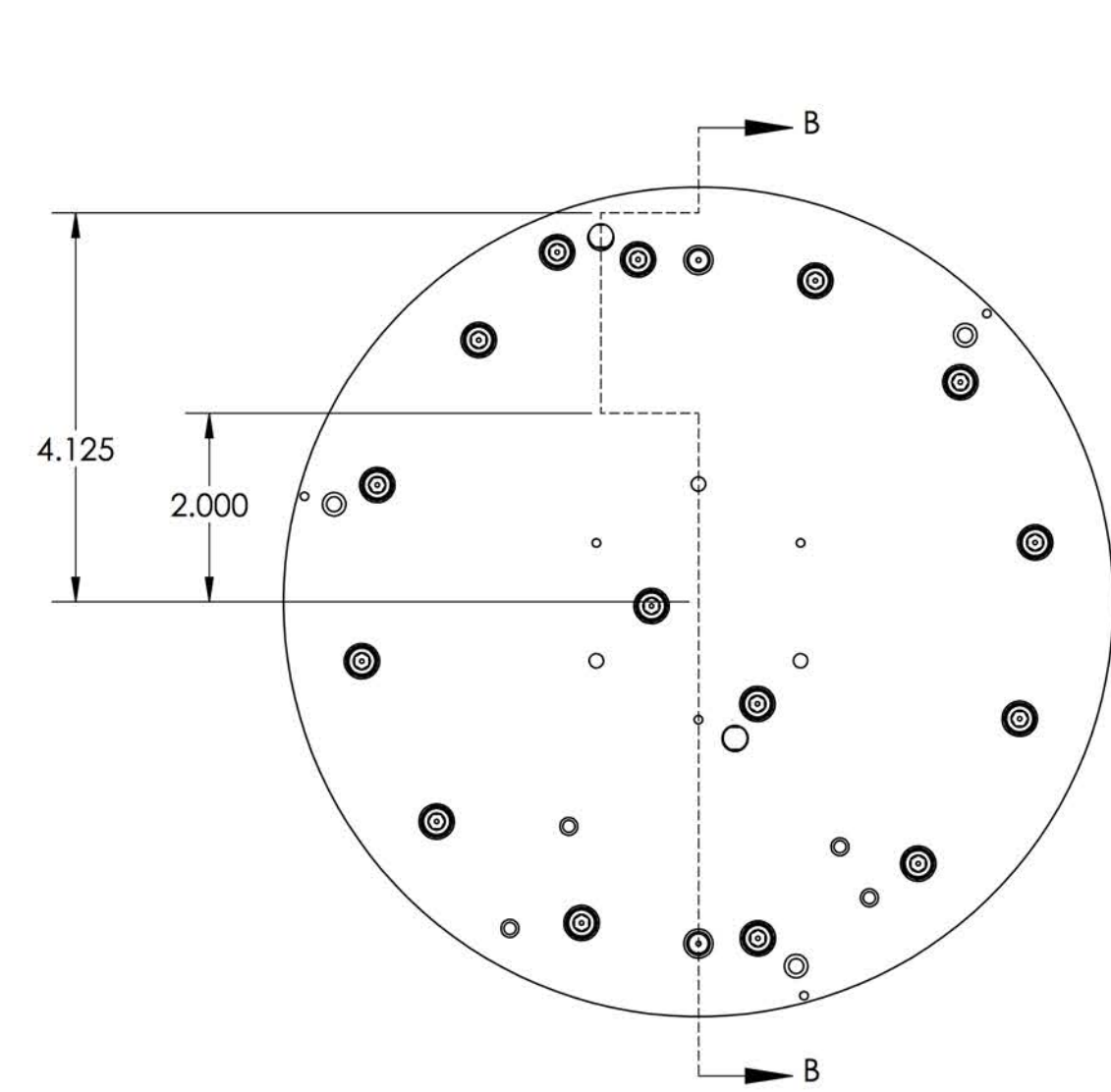


ITEM NO.	PART NUMBER	DESCRIPTION	QTY.
1	BCE10004	BOTTOM HEATER PLATTEN	1
2	BCE10003	TOP HEATER PLATTEN, 12	1
3	BCE10006	HEATER COIL, 1500 WATT, 220 VAC	1
4	93235A242	10-32 X .500, SHCS, SST, VENTED	15
5	91475A027	#10 - SST, Split Lock Washer	15



NOTES:  
 1. ALL DIMENSIONS AFTER ASSEMBLY  
 2. HIPOT TEST FINAL ASSEMBLY

PROPRIETARY AND CONFIDENTIAL  
 THE INFORMATION CONTAINED IN THIS DRAWING IS THE SOLE PROPERTY OF BCE ENGINEERS, HAYWARD, CA. ANY REPRODUCTION IN PART OR AS A WHOLE WITHOUT THE WRITTEN PERMISSION OF BCE ENGINEERS IS PROHIBITED.

UNLESS OTHERWISE SPECIFIED:		NAME	DATE	BCE 21060 Corsair Blvd www.belllove.com Hayward, CA 94545, (510) 274-1990
DIMENSIONS ARE IN INCHES		DRAWN	AP	
TOLERANCES:		CHECKED	DS	12/7/15
FRACTIONAL: 1/16		ENG APPR.		
ANGULAR: MACH ±2° BEND ±2°		MFG APPR.		
TWO PLACE DECIMAL ±.01		D.A.		
THREE PLACE DECIMAL ±.005		COMMENTS:		
INTERPRET GEOMETRIC TOLERANCING PER:				
MATERIAL:				
FINISH:				
NEXT ASSY USED ON:				
APPLICATION:				

TITLE:  
**CLAMPED-IN COIL HEATER ASSY**  
 SIZE DWG. NO. REV  
**D BCE10000 A**  
 SCALE: 1:2 WEIGHT: SHEET 1 OF 1