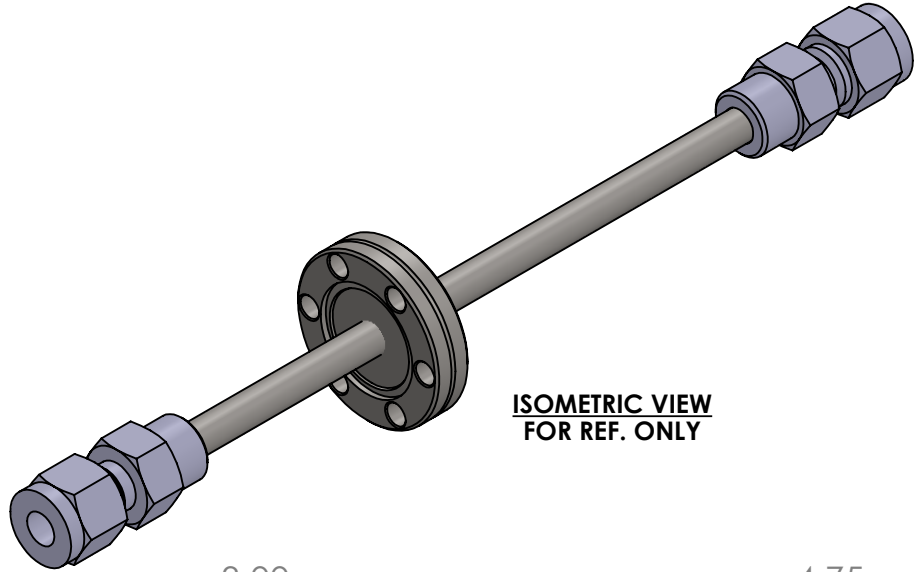


2

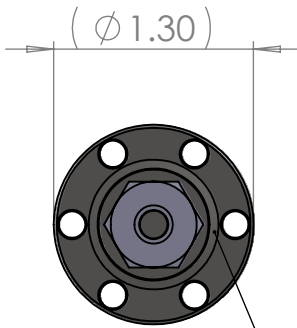
1

B

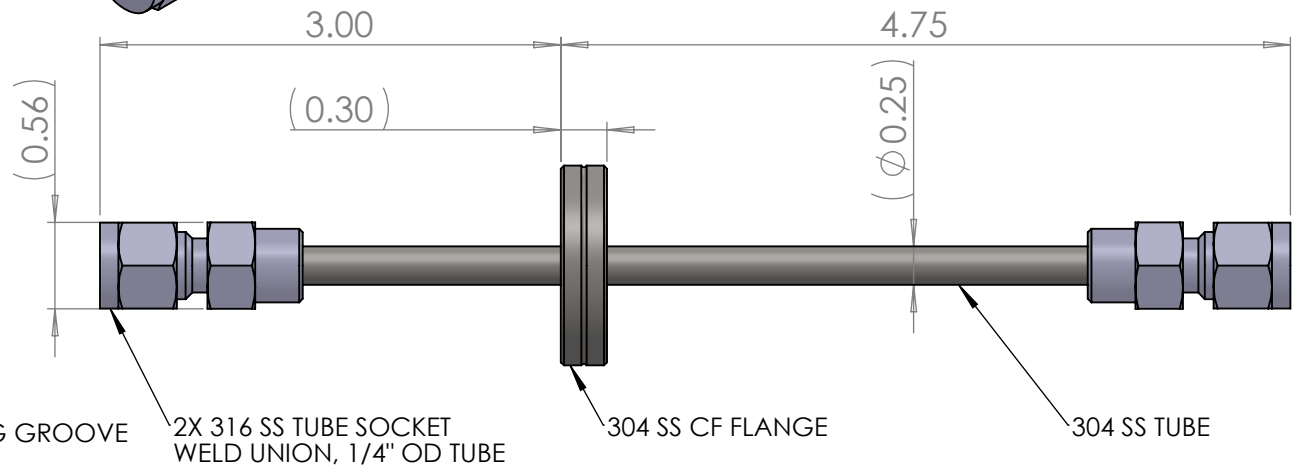
B



ISOMETRIC VIEW FOR REF. ONLY



VACUUM SIDE



O-RING GROOVE

2X 316 SS TUBE SOCKET WELD UNION, 1/4" OD TUBE

304 SS CF FLANGE

304 SS TUBE

NOTES:

1. DESIGNED FOR DELIVERY OF LIQUIDS AND/OR GAS
2. MAXIMUM OPERATING TEMPERATURE: 300°C
3. OTHER OPTIONS AVAILABLE FOR:
 - FITTINGS
 - FLANGE
 - TUBE

PROPRIETARY AND CONFIDENTIAL
 THE INFORMATION CONTAINED IN THIS DRAWING IS THE SOLE PROPERTY OF BELILOVE CO. ENGINEERS. ANY REPRODUCTION IN PART OR AS A WHOLE WITHOUT THE WRITTEN PERMISSION OF BELILOVE CO. ENGINEERS IS PROHIBITED.

UNLESS OTHERWISE SPECIFIED:	
DIMENSIONS ARE IN INCHES	
TOLERANCES:	
FRACTIONAL ±	
ANGULAR: MACH ± BEND ±	
TWO PLACE DECIMAL ± .010	
THREE PLACE DECIMAL ± .005	
INTERPRET GEOMETRIC TOLERANCING PER:	
MATERIAL	SEE DWG
FINISH	N/A
DO NOT SCALE DRAWING	



TITLE:
**FLUID FEEDTHRU,
 1/4" OD TUBE**

SIZE	DWG. NO.	REV
A	BCE10019	A

SCALE: NTS WEIGHT: N/A SHEET 1 OF 1

A

A

2

1