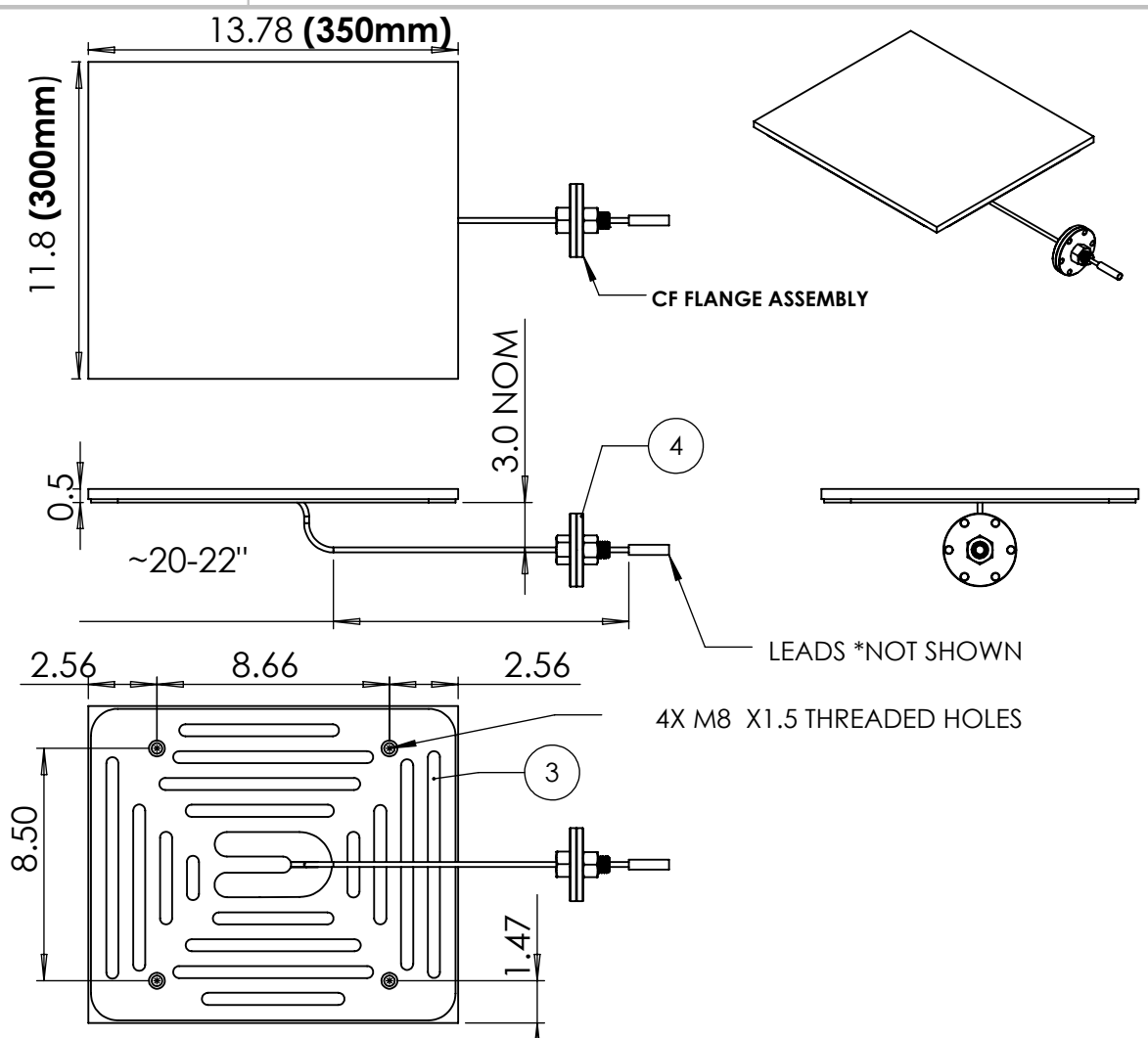


B

A

B

A



NOTES:

- 1. MATERIAL:304 SS
- 2. ELECTRICAL: 240 VOLT, 2400 WATT(+/- 10%)  
36" FIBERGLASS LEADS W/BUILT IN UNGROUNDED TYPE K & 12" SS BRAID
- 3. SLOTTED DESIGN REMOVES EXCESS MASS FROM ASSEMBLY TO IMPROVE EFFICIENCY.
- 4. CF FLANGE TO BE BRAZED TO HEATER ASSEMBLY
- 5. BENCH TEST TO 650-700C IN ATMOSPHERE
- 6. CHEMICALLY CLEAN HEATER AND PACKAGE

|   |  |   |                     |
|---|--|---|---------------------|
| <p>The information given herein is based on data believed to be accurate, but BCE makes no expressed or implied warranties as to its accuracy and assumes no liability arising out of its use by others. This information does not constitute a license to use or infringe on any patents</p> | <p>UNLESS OTHERWISE SPECIFIED:<br/>DIMENSIONS ARE IN INCHES<br/>TOLERANCES:<br/>FRACTIONAL ±<br/>ANGULAR: MACH ± BEND ±<br/>TWO PLACE DECIMAL ± .01<br/>THREE PLACE DECIMAL ± .001</p> | <p>PART. NO.<br/><b>BCE</b></p>                         |                     |
|   | <p>INTERPRET GEOMETRIC TOLERANCING PER:<br/>MATERIAL<br/>SEE DWG<br/>FINISH<br/>N/A<br/>DO NOT SCALE DRAWING</p>   | <p>TITLE:<br/><b>VACUUM HEATER<br/>PLATEN 350mm</b></p> |                     |
| <p><b>PROPRIETARY AND CONFIDENTIAL</b><br/>THE INFORMATION CONTAINED IN THIS DRAWING IS THE SOLE PROPERTY OF BELLOVE CO. ENGINEERS. ANY REPRODUCTION IN PART OR AS A WHOLE WITHOUT THE WRITTEN PERMISSION OF BELLOVE CO. ENGINEERS IS PROHIBITED.</p>   | <p>SIZE<br/><b>A</b></p>   | <p>DWG. NO.<br/><b>BCE11233</b></p>                     | <p>SHEET 1 OF 1</p> |

2

1

2

1