

4

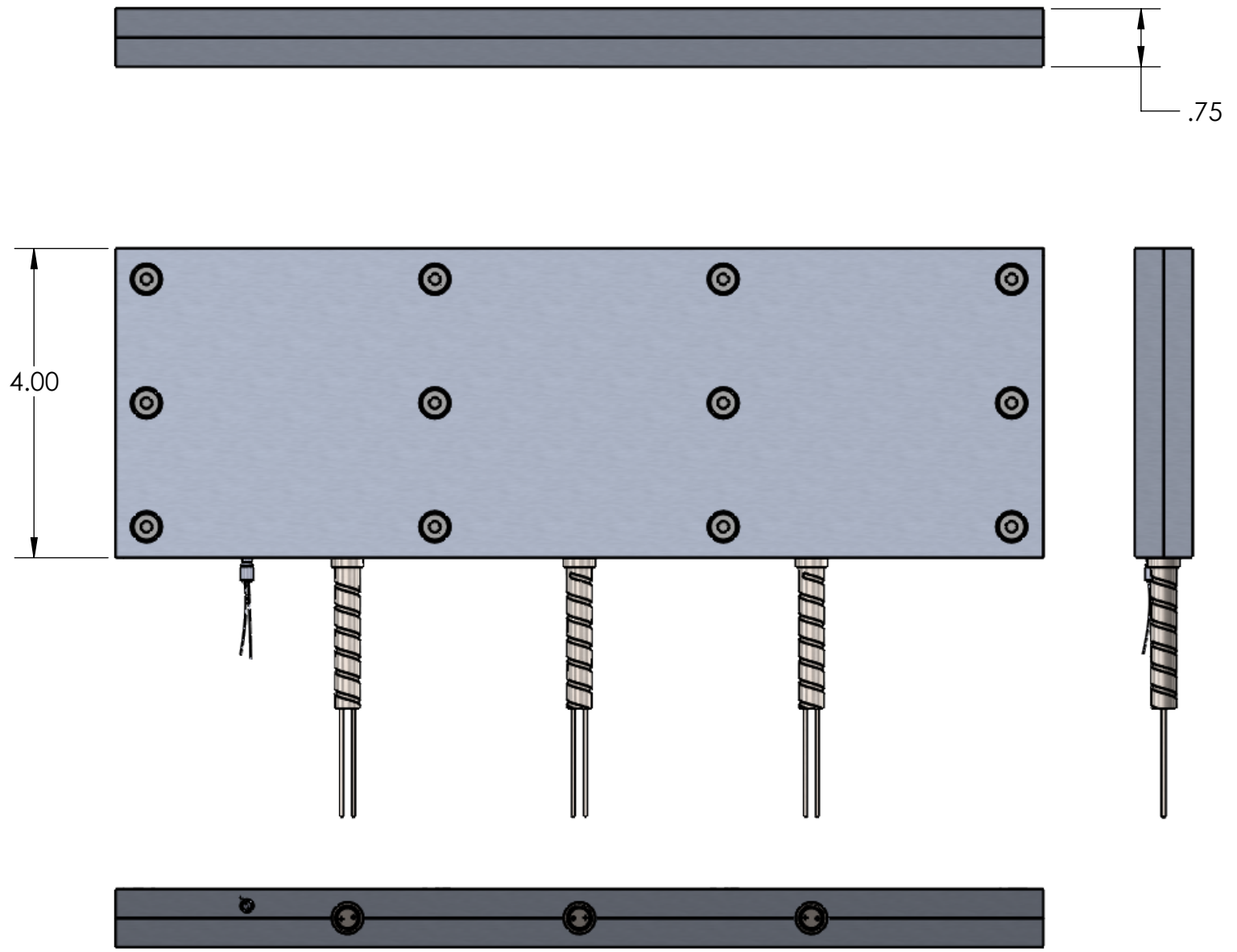
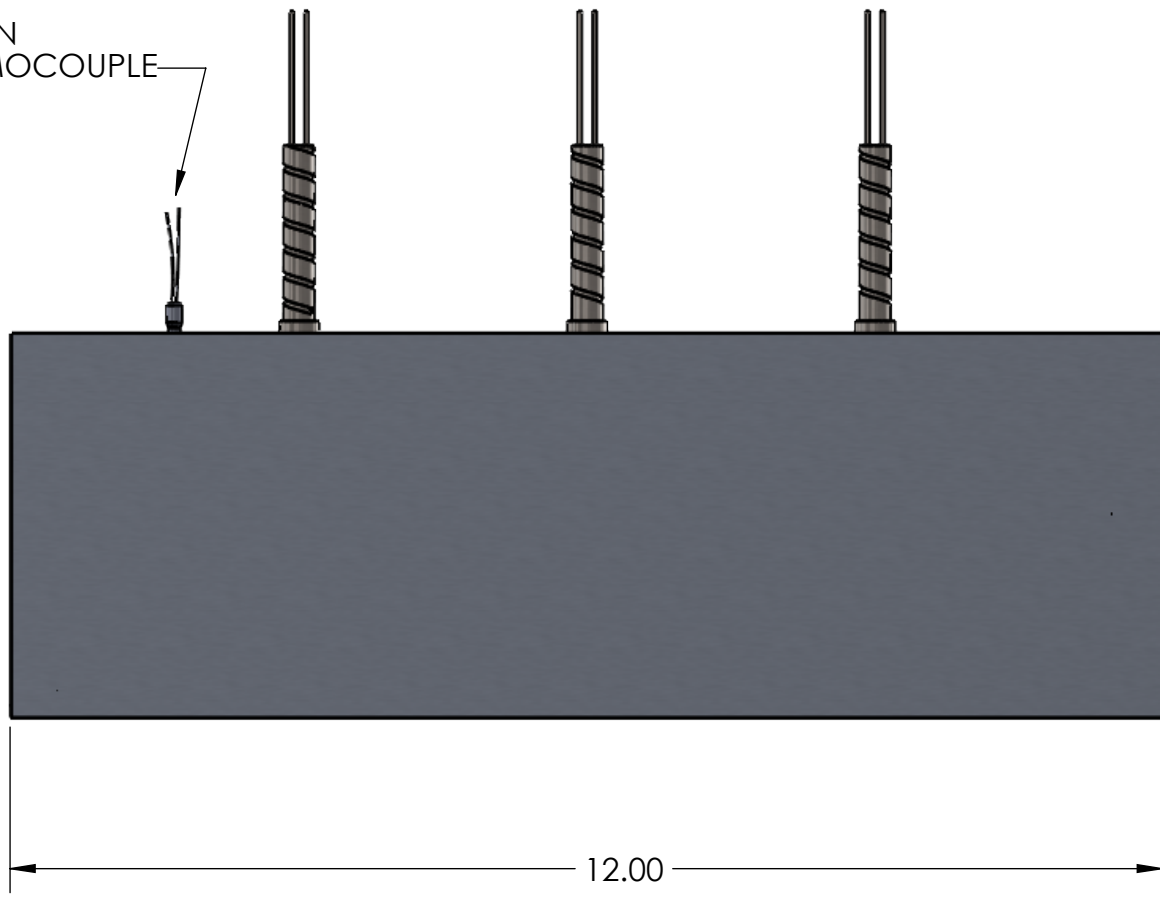
3

2

1

B

BUILT IN THERMOCOUPLE




B

A

NOTES:

1. MATERIAL: ALUMINUM 6061
2. HEATING ELEMENTS: 36" FIBER GLASS LEAD WIRES WITH CONDUIT, 120V, 167W X 3
3. BUILT IN "J" TYPE GROUNDED THERMOCOUPLE

	<b>NAME</b>	<b>DATE</b>	THE INFORMATION GIVEN HEREIN IS BASED ON DATA BELIEVED TO BE ACCURATE, BUT BCE MAKES NO EXPRESSED OR IMPLIED WARRANTIES AS TO ITS ACCURACY AND ASSUMES NO LIABILITY ARISING OUT OF ITS USE BY OTHERS. THIS INFORMATION DOES NOT CONSTITUTE A LICENSE TO USE OR INFRINGE ON ANY PATENTS  <b>PROPRIETARY AND CONFIDENTIAL</b> THE INFORMATION CONTAINED IN THIS DRAWING IS THE SOLE PROPERTY OF BELILOVE CO ENGINEERS. ANY REPRODUCTION IN PART OR AS A WHOLE WITHOUT THE WRITTEN PERMISSION OF BELILOVE CO. ENGINEERS IS PROHIBITED.	UNLESS OTHERWISE SPECIFIED: DIMENSIONS ARE IN INCHES TOLERANCES: FRACTIONAL ± ANGULAR: MACH ± BEND ± TWO PLACE DECIMAL ± .01 THREE PLACE DECIMAL ± .007  INTERPRET GEOMETRIC TOLERANCING PER: MATERIAL FINISH DO NOT SCALE DRAWING	 BELILOVE COMPANY ENGINEERS TITLE: <b>ALUMINUM HEATER PLATE</b> SIZE DWG. NO. REV <b>B</b> BCE11249 SCALE: 1:4 SHEET 1 OF 1
DRAWN	W.T.	8.30.22			
CHECKED					
ENG.APPR.	AM	8.30.22			
MFG.APPR.					
Q.A.					
COMMENTS					

4

3

2

1

A