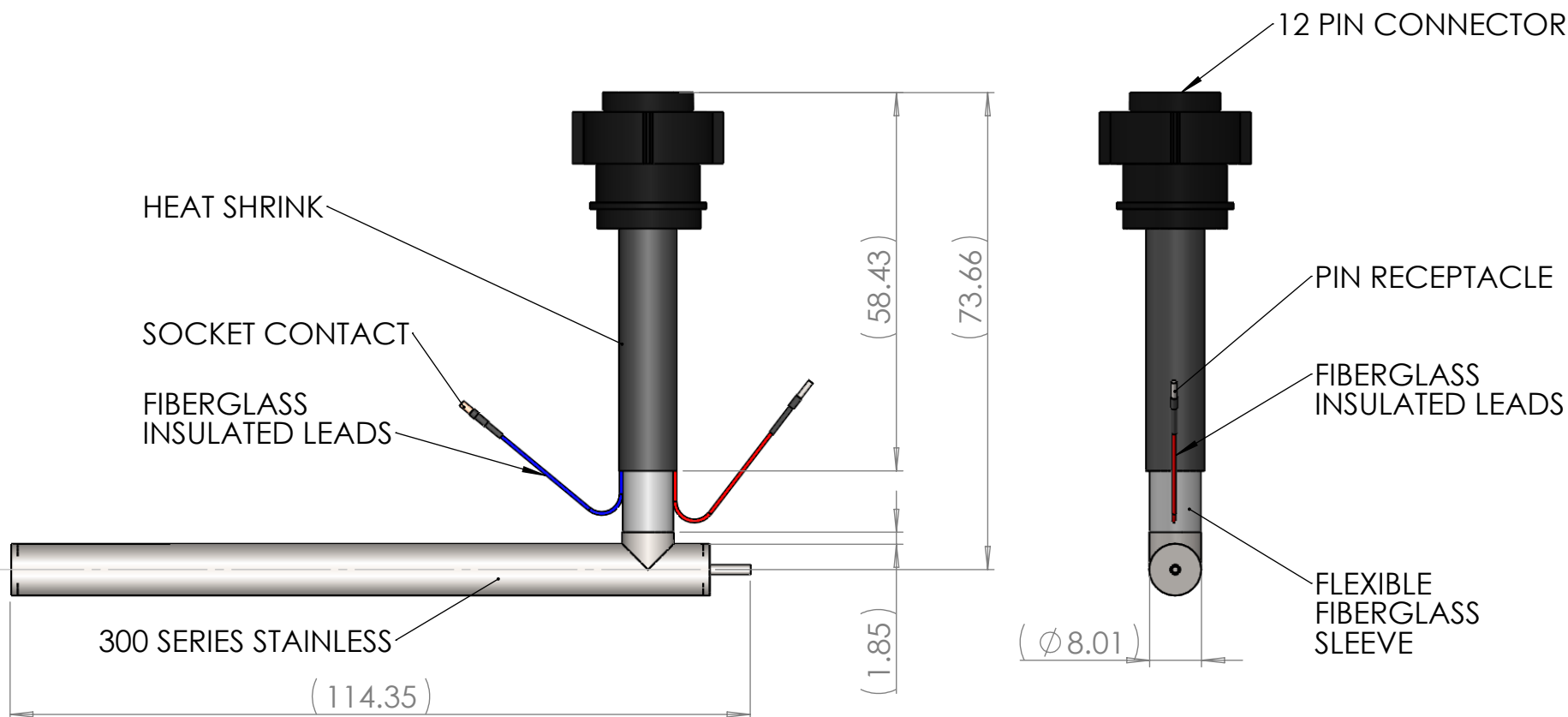


2

1

B

B



NOTES:

1. ALL REFERENCE DIMENSIONS ARE IN MILLIMETERS.
2. MULTIPLE APPLICATIONS POSSIBLE. MAINLY USED IN MASS SPECTROMETRY.
3. MAXIMUM OPERATING TEMPERATURE OF 400 °C.
4. GENERAL USE INVOLVES NITROGEN GAS FLOW.

A

A



TITLE:
**CAPILLARY SOURCE
 HEATER ASSY**

PROPRIETARY AND CONFIDENTIAL
 THE INFORMATION CONTAINED IN THIS
 DRAWING IS THE SOLE PROPERTY OF
 BELILOVE COMPANY ENGINEERS. ANY
 REPRODUCTION IN PART OR AS A WHOLE
 WITHOUT THE WRITTEN PERMISSION OF
 BELILOVE COMPANY ENGINEERS IS
 PROHIBITED.

SIZE	DWG. NO.	REV
A	MHC4846	A
SCALE: 1:1	WEIGHT: N/A	SHEET 1 OF 1

2

1