

B

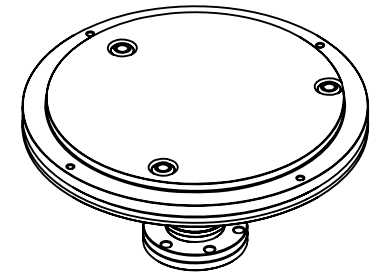
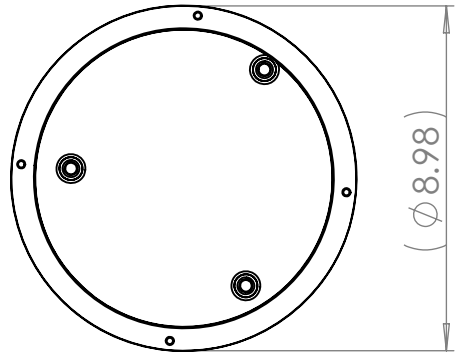
B

A

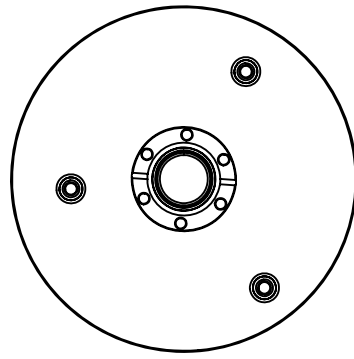
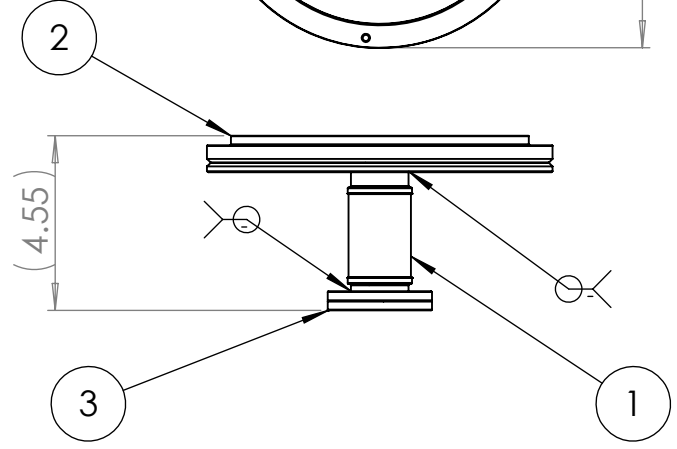
A

2

1



**ISOMETRIC VIEW  
FOR REF. ONLY**



ITEM NO.	PART NUMBER	DESCRIPTION	QTY.
1		RF BREAK, SS304, ALUMINA	1
2	BCE10134	HEATER TOP, 200 MM, SS316	1
3	BCE10135	2.75" CF FLANGE, SS304	1
4	BCE10133	HEATER, 1450W $\pm$ 10%, 240V	1

**NOTES**

1. REMOVE ALL BURRS AND SHARP EDGES
2. THIS DRAWING IS FOR REF. ONLY
3. 1450WATT, 240VOLT
4. HIGH PURITY CLEAN AND PACKAGE PER BCE SPEC

**PROPRIETARY AND CONFIDENTIAL**  
 THE INFORMATION CONTAINED IN THIS DRAWING IS THE SOLE PROPERTY OF BCE INC. ANY REPRODUCTION IN PART OR AS A WHOLE WITHOUT THE WRITTEN PERMISSION OF BCE INC. IS PROHIBITED.

UNLESS OTHERWISE SPECIFIED:		NAME	DATE
DIMENSIONS ARE IN INCHES		DRAWN	9/27/17
TOLERANCES:		CHECKED	9/27/17
FRACTIONAL $\pm$		ENG APPR.	
ANGULAR: MACH $\pm$ BEND $\pm$		MFG APPR.	
TWO PLACE DECIMAL $\pm$ .010		Q.A.	
THREE PLACE DECIMAL $\pm$ .005		COMMENTS:	
INTERPRET GEOMETRIC TOLERANCING PER:			
MATERIAL	SEE BOM		
FINISH	N/A		
DO NOT SCALE DRAWING			



TITLE:  
**PEDESTAL HEATER ASSY,  
 200 MM- HIGH TEMP**

SIZE	DWG. NO.	REV
<b>A</b>	<b>BCE10141</b>	<b>A</b>
SCALE: 1:5	WEIGHT: N/A	SHEET 1 OF 1

2

1