

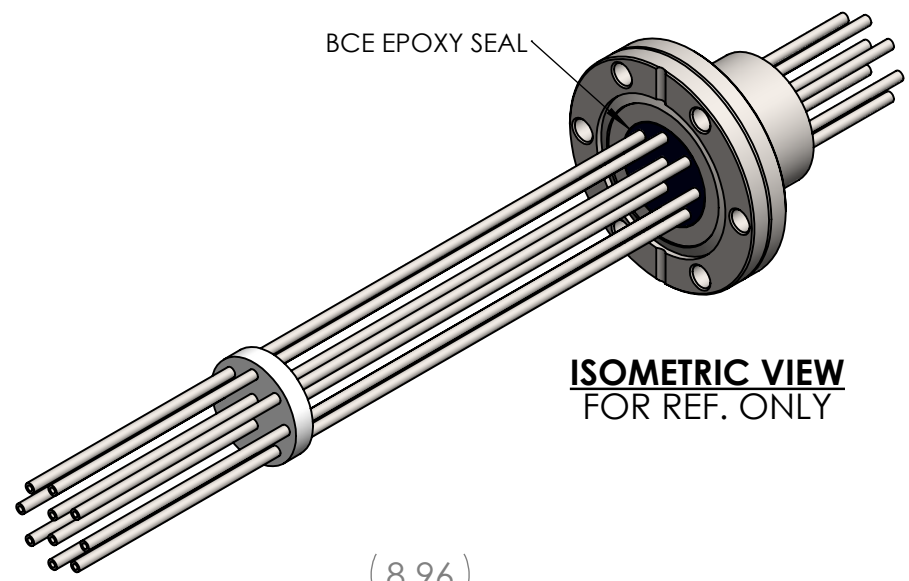
2

1

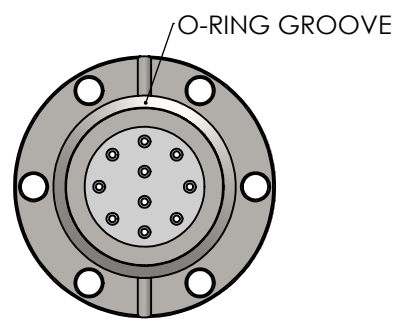
B

B

BCE EPOXY SEAL



ISOMETRIC VIEW
FOR REF. ONLY



O-RING GROOVE

(8.96)

SATINICE WHITE ACRYLIC TUBE HOLDER

(1.50)

(1.54)

(Ø 2.72)

10X 1/8" OD 304 SS TUBES

304 SS CF FLANGE

A

A

NOTES:

1. DESIGNED FOR DELIVERY OF LIQUIDS AND/OR GAS
2. MAXIMUM OPERATING TEMPERATURE: 150°C-200°C
3. OTHER OPTIONS AVAILABLE FOR:
 - FLANGE
 - HOLDER
 - TUBES

PROPRIETARY AND CONFIDENTIAL
 THE INFORMATION CONTAINED IN THIS DRAWING IS THE SOLE PROPERTY OF BELILOVE CO. ENGINEERS. ANY REPRODUCTION IN PART OR AS A WHOLE WITHOUT THE WRITTEN PERMISSION OF BELILOVE CO. ENGINEERS IS PROHIBITED.

UNLESS OTHERWISE SPECIFIED:	
DIMENSIONS ARE IN INCHES	
TOLERANCES:	
FRACTIONAL ±	
ANGULAR: MACH ± BEND ±	
TWO PLACE DECIMAL ± .010	
THREE PLACE DECIMAL ± .005	
INTERPRET GEOMETRIC TOLERANCING PER:	
MATERIAL	SEE DWG
FINISH	N/A
DO NOT SCALE DRAWING	



TITLE:
**MULTI-INPUT
 FLUID FEEDTHROUGH**

SIZE	DWG. NO.	REV
A	BCE10025	A
SCALE: 1:5	WEIGHT:	SHEET 1 OF 1

2

1