

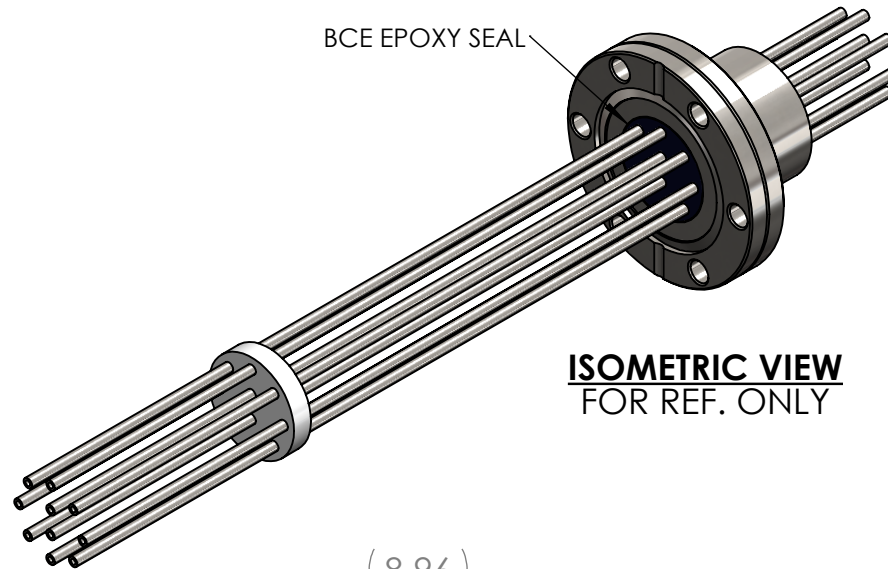
2

1

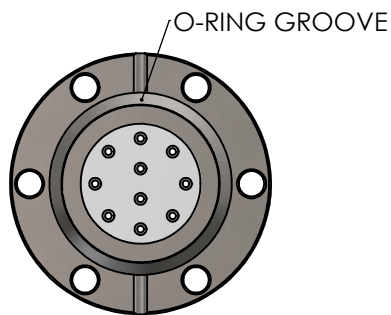
B

B

BCE EPOXY SEAL



**ISOMETRIC VIEW**  
FOR REF. ONLY



O-RING GROOVE

(8.96)

PEEK TUBE HOLDER

(1.50)

(1.54)

 $(\phi 2.72)$ 

10X 1/8" OD 304 SS TUBES

304 SS CF FLANGE

A

**NOTES:**

1. DESIGNED FOR DELIVERY OF LIQUIDS AND/OR GAS
2. MAXIMUM OPERATING TEMPERATURE: 150°C-200°C
3. OTHER OPTIONS AVAILABLE FOR:
  - FLANGE
  - HOLDER
  - TUBES

**PROPRIETARY AND CONFIDENTIAL**

THE INFORMATION CONTAINED IN THIS DRAWING IS THE SOLE PROPERTY OF BELILOVE CO. ENGINEERS. ANY REPRODUCTION IN PART OR AS A WHOLE WITHOUT THE WRITTEN PERMISSION OF BELILOVE CO. ENGINEERS IS PROHIBITED.

UNLESS OTHERWISE SPECIFIED:

DIMENSIONS ARE IN INCHES  
TOLERANCES:  
FRACTIONAL ±  
ANGULAR: MACH ± BEND ±  
TWO PLACE DECIMAL ± .010  
THREE PLACE DECIMAL ± .005

INTERPRET GEOMETRIC TOLERANCING PER:

MATERIAL SEE DWG

FINISH N/A

DO NOT SCALE DRAWING

TITLE:

MULTI-INPUT  
FLUID FEEDTHROUGH

SIZE

DWG. NO.

REV

A

BCE10025

A

SCALE: 1:5

WEIGHT:

SHEET 1 OF 1

2

1

A