

4

3

2

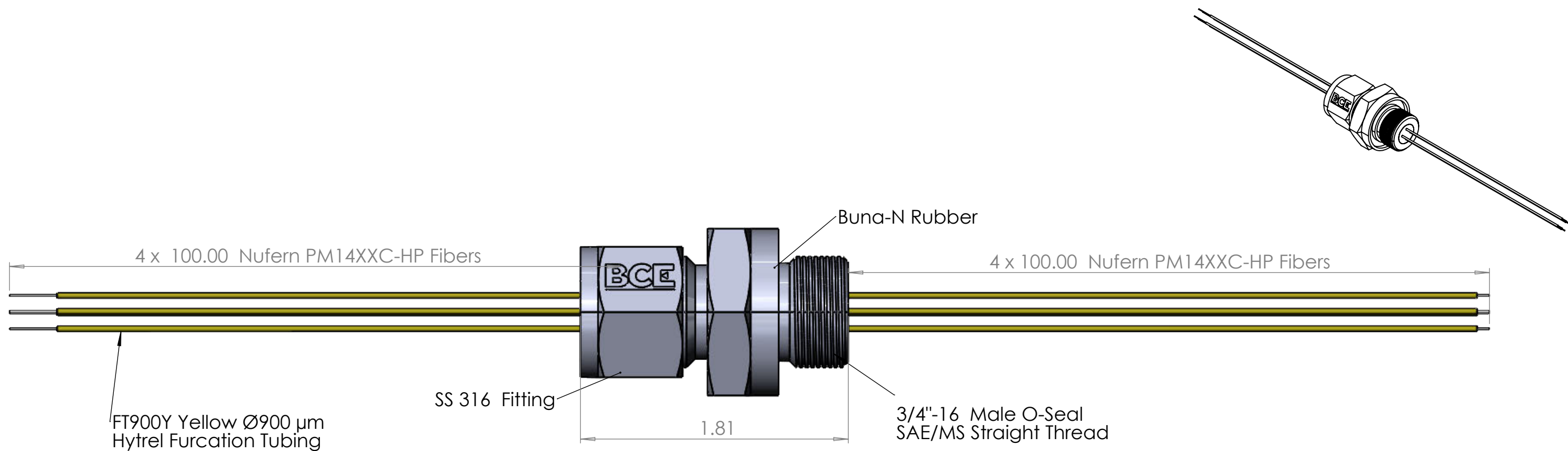
1

B

B

A

A



4 x 100.00 Nufern PM14XXC-HP Fibers

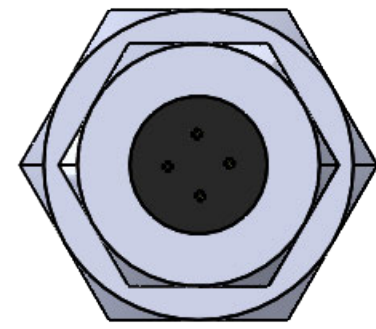
4 x 100.00 Nufern PM14XXC-HP Fibers

FT900Y Yellow Ø900 µm Hytrel Furcation Tubing

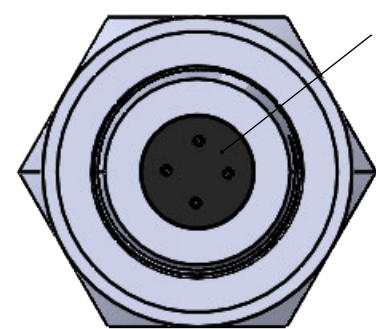
SS 316 Fitting

Buna-N Rubber

3/4\"-16 Male O-Seal SAE/MS Straight Thread



Atmosphere



Vacuum

BCE EPOXY POTTING

NOTES:

- 1. Operating Temperature: Application Specific
- 2. Vacuum Leak Rating: 10⁻⁸ ATM-CC/Sec or better

UNLESS OTHERWISE SPECIFIED:		NAME	DATE
DIMENSIONS ARE IN INCHES		DRAWN	A.M
TOLERANCES:		CHECKED	
FRACTIONAL ±		ENG APPR.	
ANGULAR: MACH ±		MFG APPR.	
BEND ±		Q.A.	
TWO PLACE DECIMAL ± 0.01		COMMENTS:	
THREE PLACE DECIMAL ± 0.005		THIS DRAWING IS FOR REFERENCE ONLY.	
INTERPRET GEOMETRIC TOLERANCING PER:		FINAL PRODUCT MAY DIFFER.	
MATERIAL	SEE DWG		
FINISH	SEE DWG		
DO NOT SCALE DRAWING			

PROPRIETARY AND CONFIDENTIAL
 THE INFORMATION CONTAINED IN THIS DRAWING IS THE SOLE PROPERTY OF BELILOVE CO. ENGINEERS. ANY REPRODUCTION IN PART OR AS A WHOLE WITHOUT THE WRITTEN PERMISSION OF BELILOVE CO. ENGINEERS IS PROHIBITED.



TITLE:
UNF Fiber Feedthrough

SIZE	DWG. NO.	REV
B	BCE10661	-

SCALE: NTS WEIGHT: N/A SHEET 1 OF 1

4

3

2

1