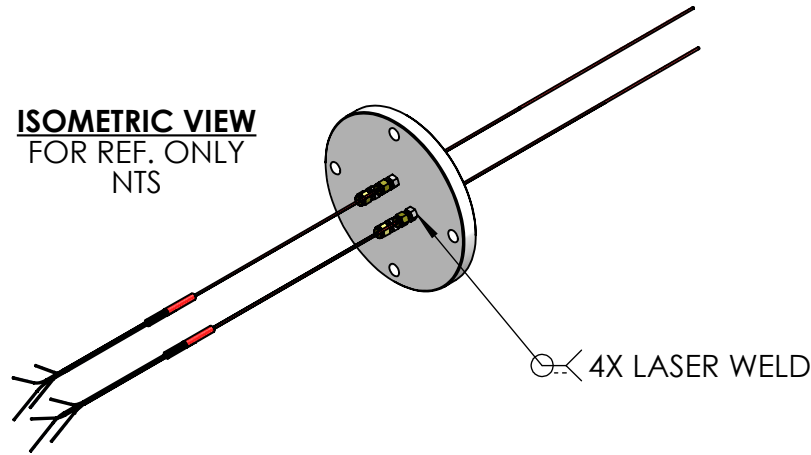
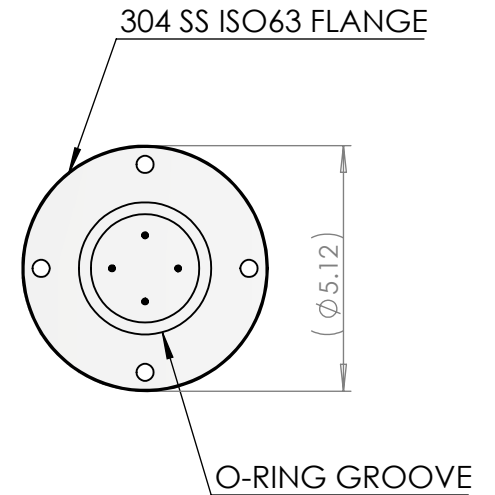
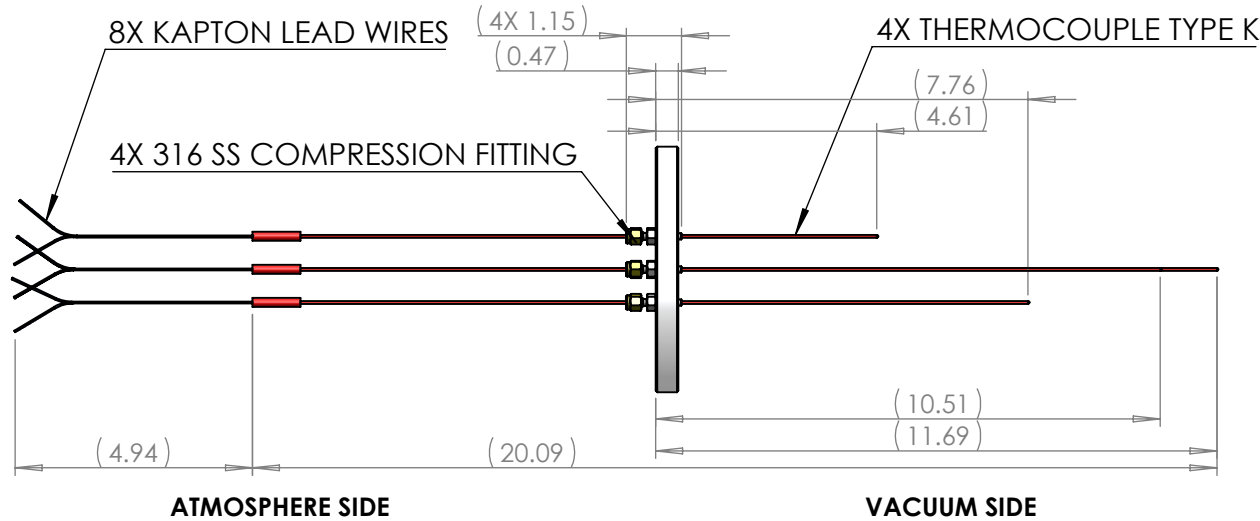


REPLACEABLE THERMOCOUPLE DESIGN

ISOMETRIC VIEW
FOR REF. ONLY
NTS



4X LASER WELD



NOTES

1. HELIUM LEAK TEST: 1×10^{-8} atm.cc/sec
2. MULTIPLE OPTIONS AVAILABLE FOR:
 - LEAD WIRE MATERIAL
 - FLANGE
 - THERMOCOUPLE (TYPE AND LENGTH)
 - FITTING
3. COMPATIBLE O-RING AVAILABLE (NOT SHOWN)

PROPRIETARY AND CONFIDENTIAL

THE INFORMATION CONTAINED IN THIS DRAWING IS THE SOLE PROPERTY OF BCE INC. ANY REPRODUCTION IN PART OR AS A WHOLE WITHOUT THE WRITTEN PERMISSION OF BCE INC. IS PROHIBITED.

UNLESS OTHERWISE SPECIFIED:

DIMENSIONS ARE IN INCHES
TOLERANCES:
FRACTIONAL ±
ANGULAR: MACH ± BEND ±
TWO PLACE DECIMAL ± .010
THREE PLACE DECIMAL ± .005

INTERPRET GEOMETRIC TOLERANCING PER:

MATERIAL SEE DWG

FINISH NONE

DO NOT SCALE DRAWING



TITLE:

REPLACEABLE MULTI-TC,
FLANGED FEEDTHRU

SIZE

A BCE10108

REV

A

SCALE: NTS WEIGHT: N/A

SHEET 1 OF 1