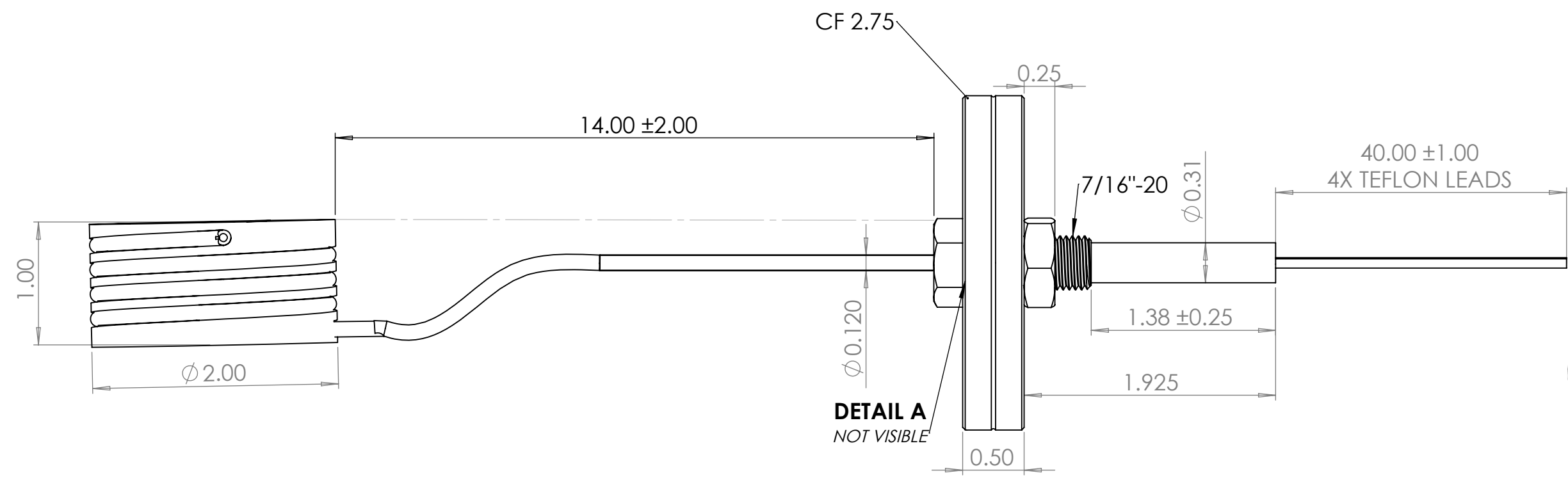
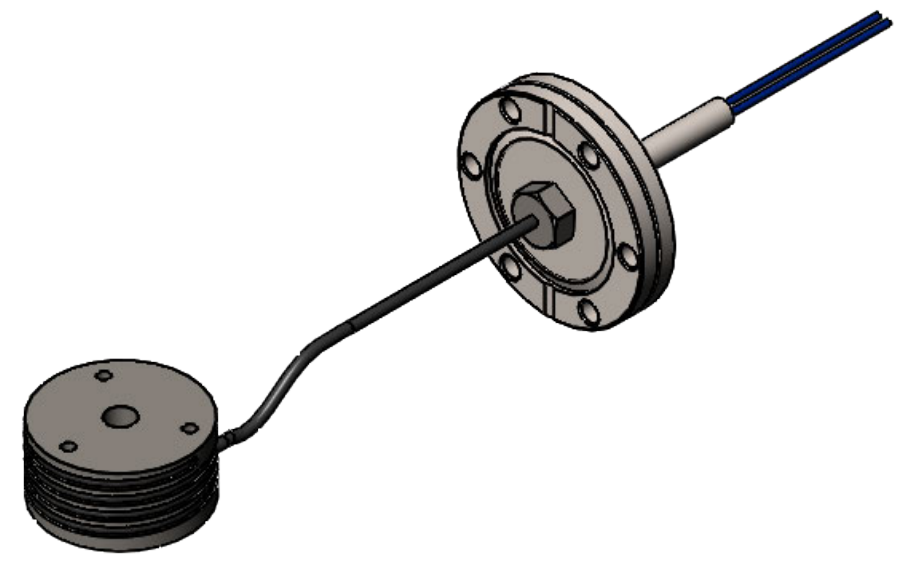
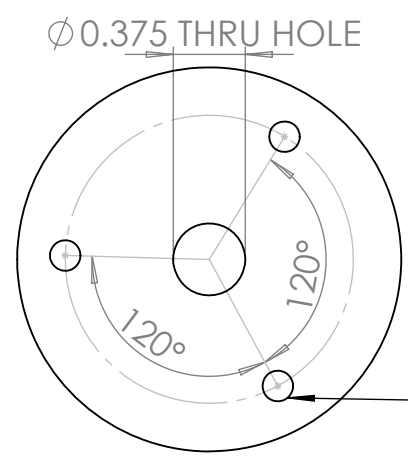


4

3

2

1



**DETAIL A:**  
FLUOROELASTOMER O-RING

**NOTES:**

1. ELECTRICAL: 160 WATT /120 VOLT
2. VACUUM LEAK RATING:  $10^{-7}$  ATM-CC/SEC
3. BUILT IN TYPE K TC

**PROPRIETARY AND CONFIDENTIAL**  
THE INFORMATION CONTAINED IN THIS DRAWING IS THE SOLE PROPERTY OF BELILOVE CO. ENGINEERS. ANY REPRODUCTION IN PART OR AS A WHOLE WITHOUT THE WRITTEN PERMISSION OF BELILOVE CO. ENGINEERS IS PROHIBITED.

UNLESS OTHERWISE SPECIFIED:		NAME	DATE
DIMENSIONS ARE IN INCHES		DRAWN	A.M
TOLERANCES:		CHECKED	
FRACTIONAL $\pm$		ENG APPR.	
ANGULAR: MACH $\pm$		MFG APPR.	
BEND $\pm$		Q.A.	
TWO PLACE DECIMAL $\pm .020$		COMMENTS:	
THREE PLACE DECIMAL $\pm .005$		THIS DRAWING IS FOR REFERENCE ONLY.	
INTERPRET GEOMETRIC TOLERANCING PER:	MATERIAL	FINAL PRODUCT MAY DIFFER.	
	SEE DWG		
FINISH	SEE DWG		
DO NOT SCALE DRAWING			



TITLE:		
CF 2.75 DOUBLE SEAL HEATING ASSEMBLY		
SIZE	DWG. NO.	REV
<b>B</b>	<b>BCE10805</b>	-
SCALE: NTS	WEIGHT: N/A	SHEET 1 OF 1

4

3

2

1