

4

3

2

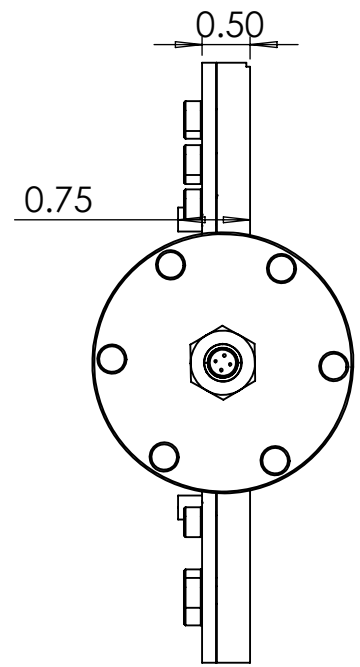
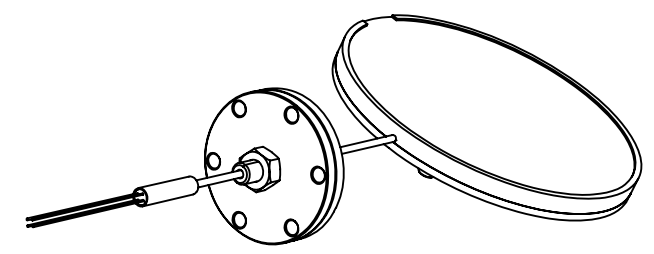
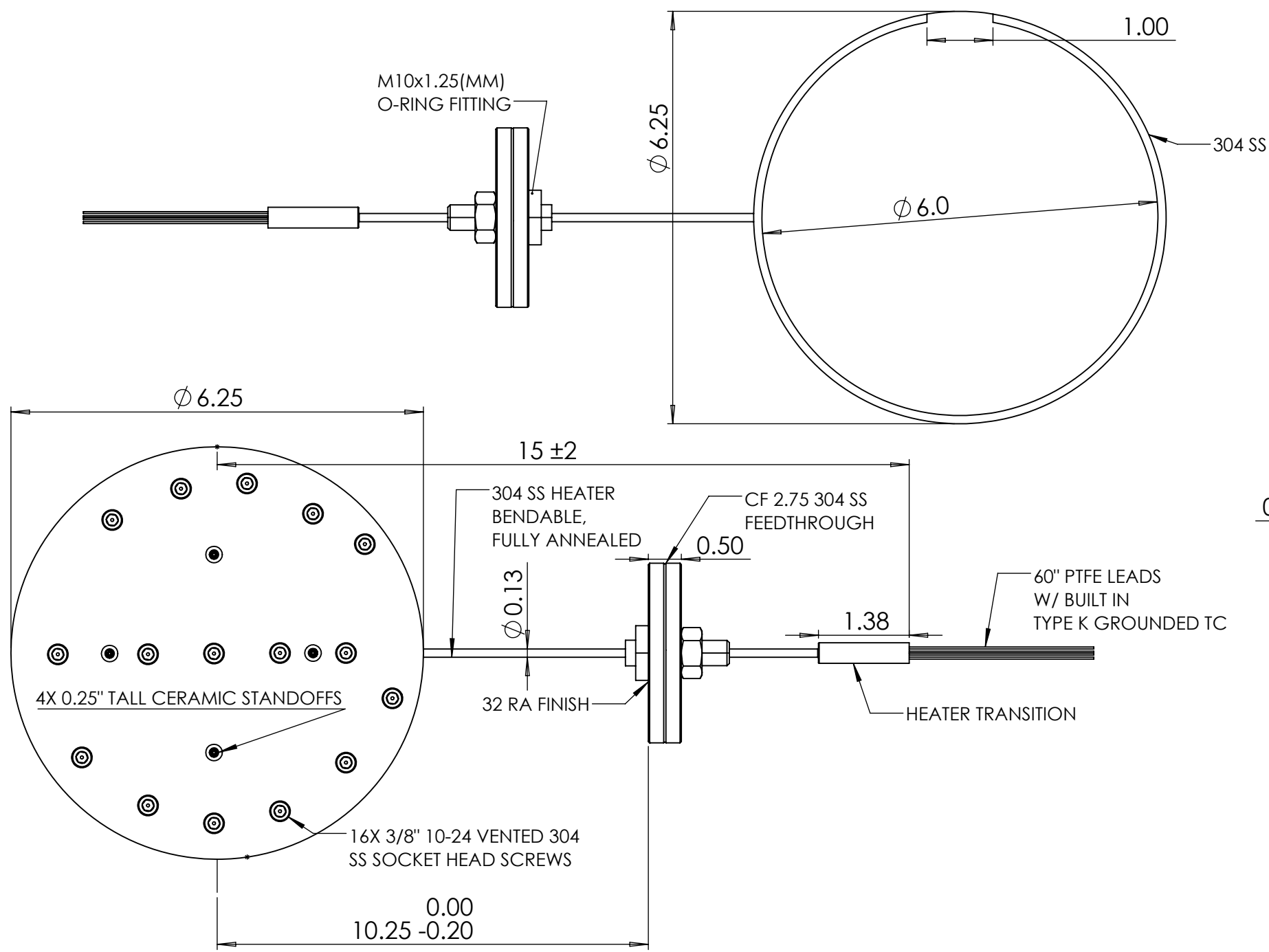
1

B

B

A

A



NOTES:

- A. PERFORMANCE SPECIFICATION:
1. MAX OPERATING TEMP: 500 °C
 2. OPERATING TEMPERATURE WITHIN 6" DIA CIRCLE UP TO 500 °C.
3. MAINTAIN BOLT TIGHTNESS POST RAMP
- B. ELECTRICAL REQUIRMENTS:
1. 900 WATT(+/-10%), 120 VOLTS, 7.5 AMPS.
 2. HIPOT/BREAKDOWN TEST: 500 VDC
 3. MEGAOHM TEST: 500 VDC (20 M-OHM MIN)

<p>The information given herein is based on data believed to be accurate, but BCE makes no expressed or implied warranties as to its accuracy and assumes no liability arising out of its use by others. This information does not constitute a license to use or infringe on any patents</p> <p>PROPRIETARY AND CONFIDENTIAL</p> <p>THE INFORMATION CONTAINED IN THIS DRAWING IS THE SOLE PROPERTY OF BELILOVE COMPANY ENGINEERS. ANY REPRODUCTION IN PART OR AS A WHOLE WITHOUT THE WRITTEN PERMISSION OF BELILOVE COMPANY ENGINEERS IS PROHIBITED.</p>	<p>UNLESS OTHERWISE SPECIFIED:</p> <p>DIMENSIONS ARE IN INCHES</p> <p>TOLERANCES:</p> <p>FRACTIONAL ±</p> <p>ANGULAR: MACH ± BEND ±</p> <p>TWO PLACE DECIMAL ± .020</p> <p>THREE PLACE DECIMAL ± .008</p>			
	<p>INTERPRET GEOMETRIC TOLERANCING PER:</p> <p>MATERIAL 304 SS</p> <p>FINISH N/A</p>	<p>TITLE: 6.25" SS304 WAFER HEATER ASSEMBLY WITH FEEDTHROUGH</p>		
<p>SCALE: N/A WEIGHT: N/A</p>		<p>SIZE B</p>	<p>DWG. NO. BCE10901</p>	<p>REV 3</p>
<p>SHEET 1 OF 1</p>				

4

3

2

1