

NOTES:

- 240 WATT (+/-10%), 120V W/BUILT IN GROUNDED TYPE K TC
- 4" ALUMINUM DISC DIAMETER KEPT AT MANUFACTURERS STOCK TOLERANCE
- EXPOSED HEATER SHEATH MAY BE COILED TO REDUCE LENGTH

The information given herein is based on data believed to be accurate, but BCE makes no expressed or implied warranties as to its accuracy and assumes no liability arising out of its use by others. This information does not constitute a license to use or infringe on any patents

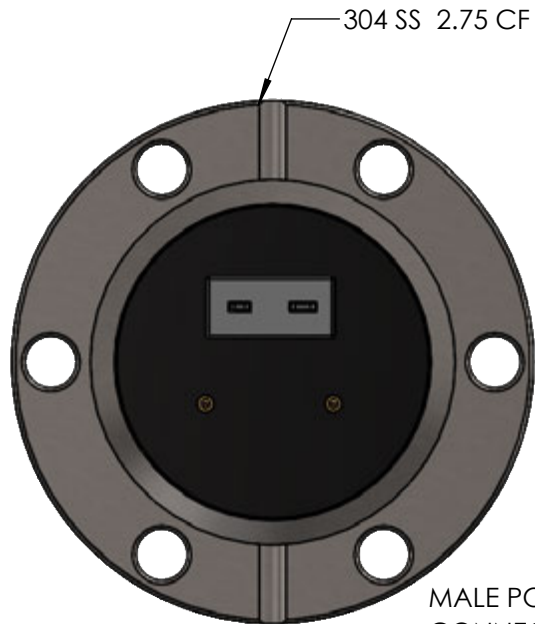
**PROPRIETARY AND CONFIDENTIAL**  
 THE INFORMATION CONTAINED IN THIS DRAWING IS THE SOLE PROPERTY OF BELLOVE CO. ENGINEERS. ANY REPRODUCTION IN PART OR AS A WHOLE WITHOUT THE WRITTEN PERMISSION OF BELLOVE CO. ENGINEERS IS PROHIBITED.

UNLESS OTHERWISE SPECIFIED:  
 DIMENSIONS ARE IN INCHES  
 TOLERANCES:  
 FRACTIONAL  $\pm$   
 ANGULAR: MACH  $\pm$  BEND  $\pm$   
 TWO PLACE DECIMAL  $\pm .050$   
 THREE PLACE DECIMAL  $\pm .009$

INTERPRET GEOMETRIC TOLERANCING PER:  
 MATERIAL SEE DWG  
 FINISH N/A  
 DO NOT SCALE DRAWING

PART. NO. <b>BCE</b>		TITLE: Vacuum Ring Heater & Feedthrough	
SIZE <b>A</b>	DWG. NO. BCE10965	REV <b>0</b>	
SCALE: NTS	WEIGHT: N/A	SHEET 1 OF 2	

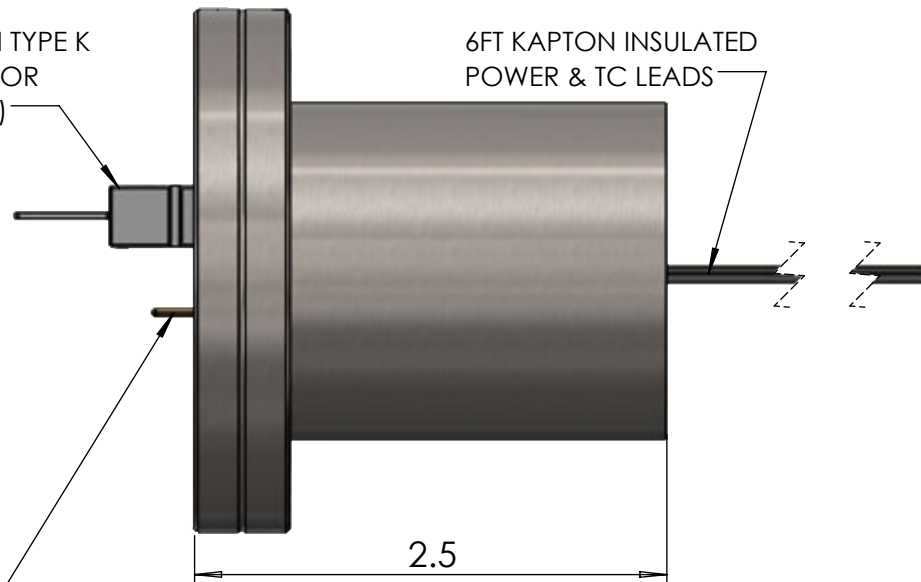
B



304 SS 2.75 CF

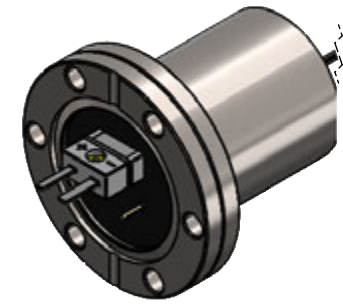
MALE MINI TYPE K  
CONNECTOR  
(ALUMINA)

MALE POWER  
CONNECTORS  
(Beryllium Copper,  
Gold Plated)



6FT KAPTON INSULATED  
POWER & TC LEADS

2.5



B

A

## NOTES:

- OPERATING TEMPERATURE: -10C TO 65 C
- VACUUM LEAK RATING:  $10^{-7}$  ATM-CC/SEC

The information given herein is based on data believed to be accurate, but BCE makes no expressed or implied warranties as to its accuracy and assumes no liability arising out of its use by others. This information does not constitute a license to use or infringe on any patents

**PROPRIETARY AND CONFIDENTIAL**

THE INFORMATION CONTAINED IN THIS DRAWING IS THE SOLE PROPERTY OF BELLOVE CO. ENGINEERS. ANY REPRODUCTION IN PART OR AS A WHOLE WITHOUT THE WRITTEN PERMISSION OF BELLOVE CO. ENGINEERS IS PROHIBITED.

UNLESS OTHERWISE SPECIFIED:

DIMENSIONS ARE IN INCHES  
TOLERANCES:  
FRACTIONAL ±  
ANGULAR: MACH ± BEND ±  
TWO PLACE DECIMAL ± .050  
THREE PLACE DECIMAL ± .009

INTERPRET GEOMETRIC TOLERANCING PER:

MATERIAL SEE DWG

FINISH N/A

DO NOT SCALE DRAWING

PART. NO.

**BCE**

TITLE:

**WIRE FEEDTHROUGH**

SIZE

**A**

DWG. NO.

**BCE10966**

REV

**0**

SCALE: NTS

WEIGHT: N/A

SHEET 2 OF 2

A

2

1