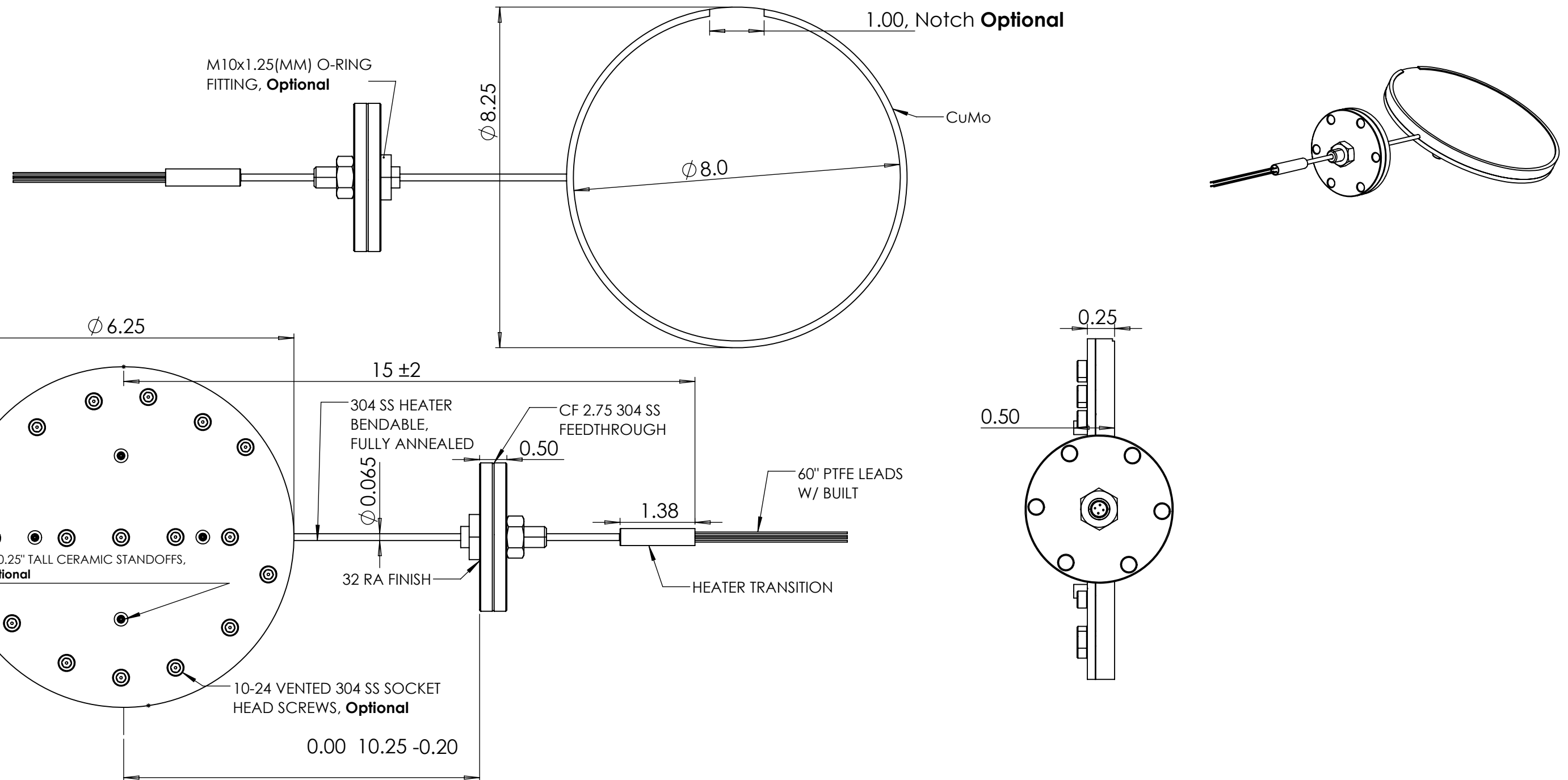


4

3

2

1



NOTES:

A. PERFORMANCE SPECIFICATION:

1. MATERIAL : COPPER MOLYBDENUM (CuMo) MAX OPERATING TEMP: 650 °C
2. OPERATING TEMPERATURE WITHIN 6" DIA CIRCLE UP TO 625 C.°
3. MAINTAIN BOLT TIGHTNESS POST RAMP

B. ELECTRICAL & PERFORMANCE REQUIRMENTS:

1. 250 to 750 WATT(+/-10%), 120 or 208 VOLT,
2. HIPOT/BREAKDOWN TEST: 500 VDC
3. MEGAOHM TEST: 500 VDC (5 M-OHM MIN)
4. AT 350°C (+/-2°C), AT 550°C (+/-3°C)

The information given herein is based on data believed to be accurate, but BCE makes no expressed or implied warranties as to its accuracy and assumes no liability arising out of its use by others. This information does not constitute a license to use or infringe on any patents

PROPRIETARY AND CONFIDENTIAL

THE INFORMATION CONTAINED IN THIS DRAWING IS THE SOLE PROPERTY OF BELUOVE COMPANY ENGINEERS. ANY REPRODUCTION IN PART OR AS A WHOLE WITHOUT THE WRITTEN PERMISSION OF BELUOVE COMPANY ENGINEERS IS PROHIBITED.

UNLESS OTHERWISE SPECIFIED:

DIMENSIONS ARE IN INCHES
TOLERANCES:
FRACTIONAL ±
ANGULAR: MACH ± BEND ±
TWO PLACE DECIMAL ± .020
THREE PLACE DECIMAL ± .008

INTERPRET GEOMETRIC TOLERANCING PER:

MATERIAL
CuMo and 304SS

FINISH
N/A

TITLE:

CuMo Copper Molybdenum
HEATER WITH FEEDTHROUGH

SIZE B	DWG. NO. BCE11050	REV 1
SCALE: N/A WEIGHT: N/A		SHEET 1 OF 1

4

3

2

1