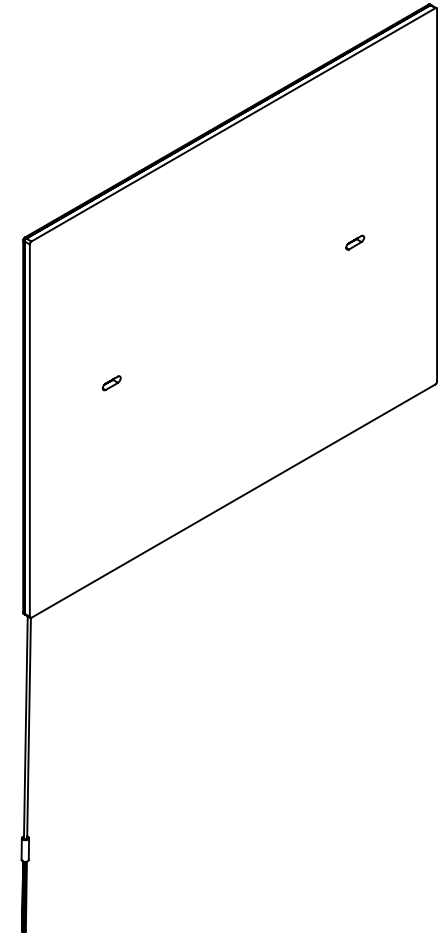
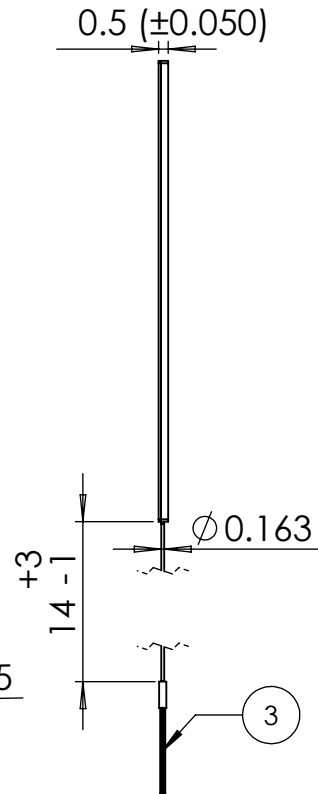
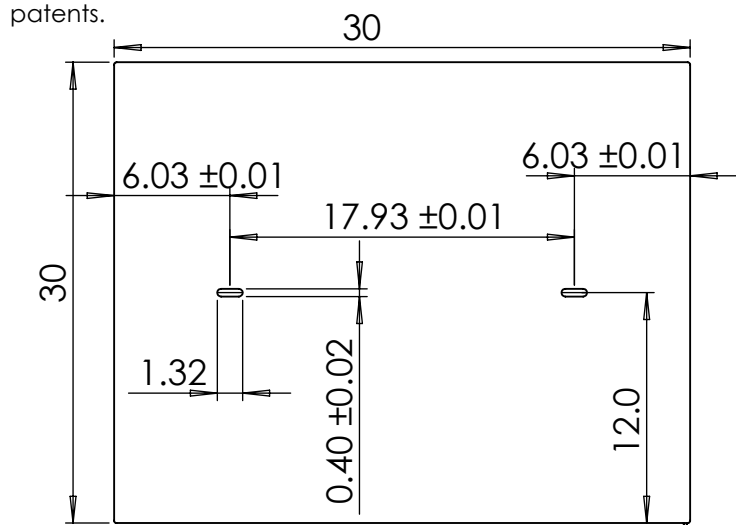


The information given herein is based on data believed to be accurate, but BCE makes no expressed or implied warranties as to its accuracy, or performance, and assumes no liability arising out of its use by others. This information does not constitute a license to use or infringe on any



NOTES:

1. 1800 WATTS (+/- 10%) 120 VOLTS, 8 OHM, 15AMP
2. MATERIAL: ALUMINUM MIC-6, FLATNESS +/- 0.010" "A" SIDE, +/- 0.015" ON "B" SIDE AT 18-25C, PRE-RAMP.
3. 36" FIBERGLASS LEADS & GROUNDED TYPE K TC W/24" SS BRAID, 14" X 0.163" DIA. SECTION IS FIELD BENDABLE,
4. PART WILL BE CLEANED WITH ISOPROPYL ALCOHOL, CUSTOMER TO PICK UP PART FROM BCE, HAYWARD CA.

The information given herein is based on data believed to be accurate, but BCE makes no expressed or implied warranties as to its accuracy and assumes no liability arising out of its use by others. This information does not constitute a license to use or infringe on any patents

PROPRIETARY AND CONFIDENTIAL

THE INFORMATION CONTAINED IN THIS DRAWING IS THE SOLE PROPERTY OF BELLOVE CO. ENGINEERS. ANY REPRODUCTION IN PART OR AS A WHOLE WITHOUT THE WRITTEN PERMISSION OF BELLOVE CO. ENGINEERS IS PROHIBITED.

UNLESS OTHERWISE SPECIFIED:

DIMENSIONS ARE IN INCHES
 TOLERANCES:
 FRACTIONAL ±
 ANGULAR: MACH ± BEND ±
 TWO PLACE DECIMAL ± .005
 THREE PLACE DECIMAL ± .001

INTERPRET GEOMETRIC TOLERANCING PER:

MATERIAL SEE DWG

FINISH N/A

DO NOT SCALE DRAWING

PART. NO. BCE		TITLE: HEATER PLATEN	
SIZE A	DWG. NO. BCE11195	REV -	
SCALE: NTS	WEIGHT: N/A	SHEET 1 OF 1	