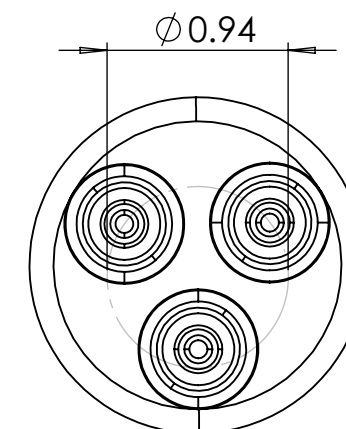
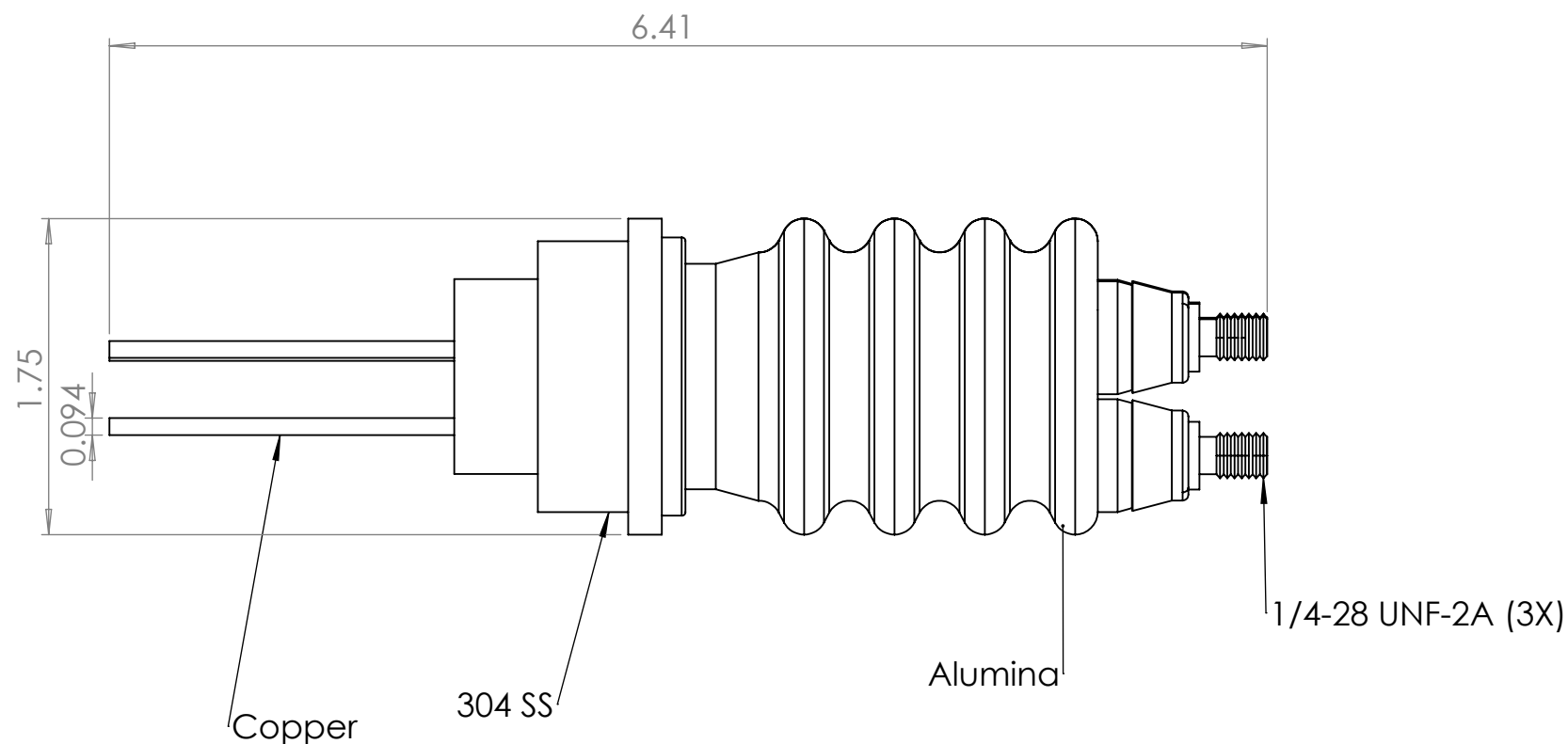
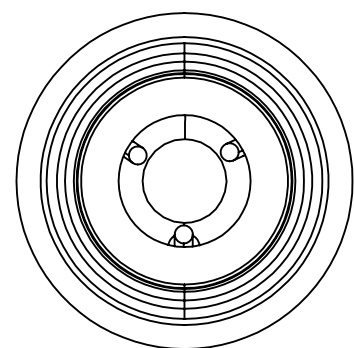
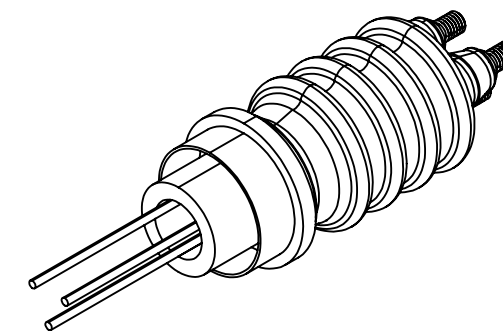


4

3

2

1



B

B

A

A

Notes:

1. Temperature Rating: -100 to 450 C
2. Voltage: 25,000 VOLTS DC Pin To Ground, 3 kV Pin To Pin
3. Current: 50 Amps
4. Vacuum Leak Rating: 10^{-9} ATM-CC/Sec

UNLESS OTHERWISE SPECIFIED:		NAME	DATE	BCE
DIMENSIONS ARE IN INCHES		DRAWN	A.M	
TOLERANCES:		CHECKED		
FRACTIONAL: \pm		ENG APPR.		
ANGULAR: MACH \pm BEND \pm		MFG APPR.		
TWO PLACE DECIMAL \pm		Q.A.		TITLE:
THREE PLACE DECIMAL		COMMENTS:		3 Pin Feedthrough
INTERPRET GEOMETRIC TOLERANCING PER:		THIS DRAWING IS FOR REFERENCE ONLY.		25 KV, 50A
MATERIAL		FINAL PRODUCT MAY DIFFER.		SIZE DWG. NO. REV
SEE DWG				B BCE10508 1
FINISH				SCALE: NTS WEIGHT: N/A SHEET 1 OF 1
DO NOT SCALE DRAWING				

PROPRIETARY AND CONFIDENTIAL
 THE INFORMATION CONTAINED IN THIS DRAWING IS THE SOLE PROPERTY OF BELILOVE CO. ENGINEERS. ANY REPRODUCTION IN PART OR AS A WHOLE WITHOUT THE WRITTEN PERMISSION OF BELILOVE CO. ENGINEERS IS PROHIBITED.

4

3

2

1