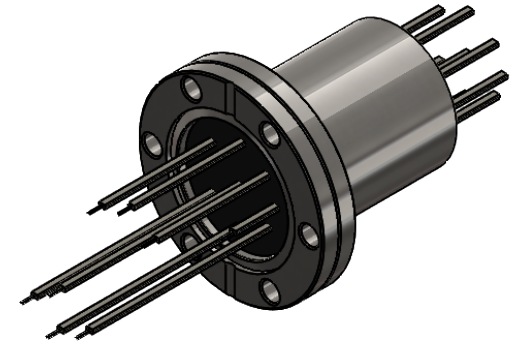


2

1

PLEASE SIGN TO APPROVE

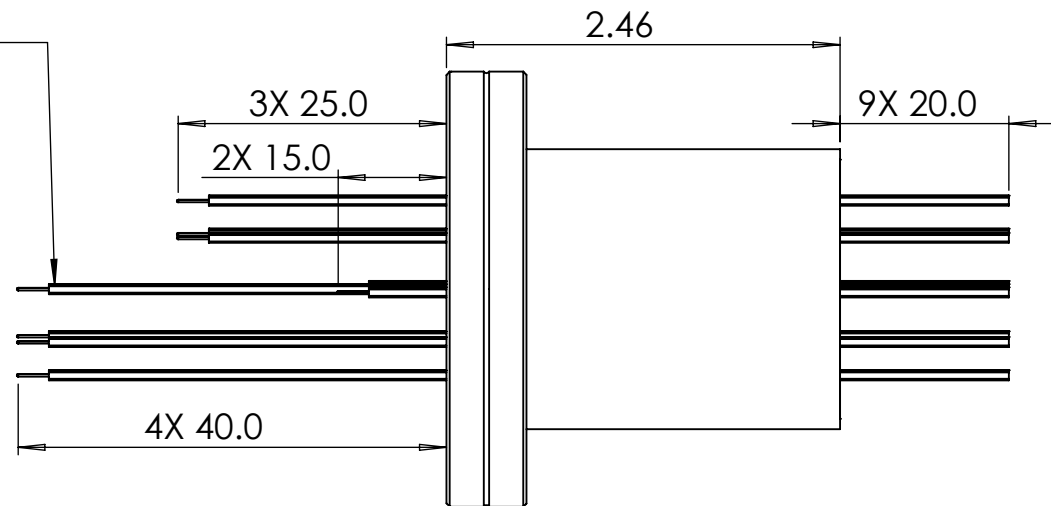
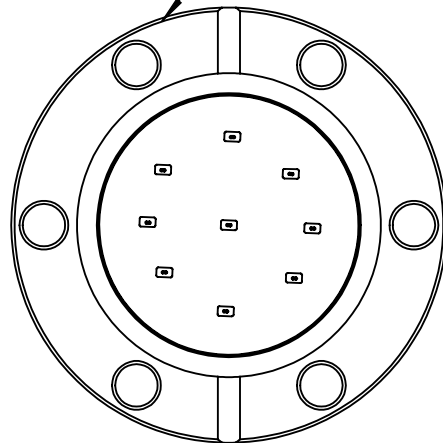
X \_\_\_\_\_ / \_\_\_\_\_



B

B

SS304 2.75CF

9X BARE BEAD WELDED  
TYPE "T" TC PTFE INSULATED

## NOTES:

1. ALL LEADS SUBJECT TO +1.5" /- 0 TOLERANCE
2. -30C TO 60 C OPERATING TEMPERATURE OF FEEDTHROUGH SEAL
3. VACUUM LEAK RATING:  $10^{-8}$  ATM-CC/SEC

The information given herein is based on data believed to be accurate, but BCE makes no expressed or implied warranties as to its accuracy and assumes no liability arising out of its use by others. This information does not constitute a license to use or infringe on any patents

## PROPRIETARY AND CONFIDENTIAL

THE INFORMATION CONTAINED IN THIS DRAWING IS THE SOLE PROPERTY OF BELLOVE CO. ENGINEERS. ANY REPRODUCTION IN PART OR AS A WHOLE WITHOUT THE WRITTEN PERMISSION OF BELLOVE CO. ENGINEERS IS PROHIBITED.

UNLESS OTHERWISE SPECIFIED:

DIMENSIONS ARE IN INCHES  
TOLERANCES:  
FRACTIONAL ±  
ANGULAR: MACH ± BEND ±  
TWO PLACE DECIMAL ± .050  
THREE PLACE DECIMAL ± .009

INTERPRET GEOMETRIC  
TOLERANCING PER:MATERIAL  
SEE DWGFINISH  
N/A

DO NOT SCALE DRAWING

PART. NO.

TITLE:

# 9X TC FEEDTHROUGH

SIZE

A

DWG. NO.

BCE10964

REV

0

SCALE: NTS

WEIGHT: N/A

SHEET 1 OF 1

2

1

A

A