

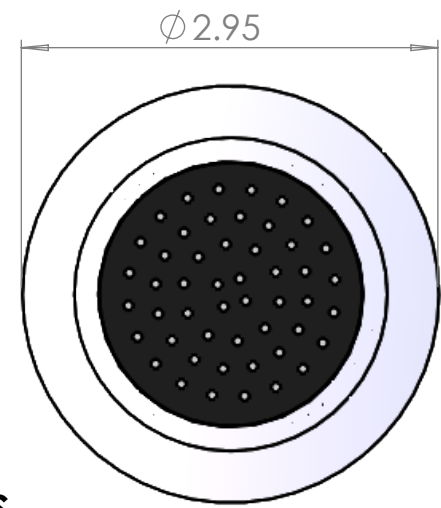
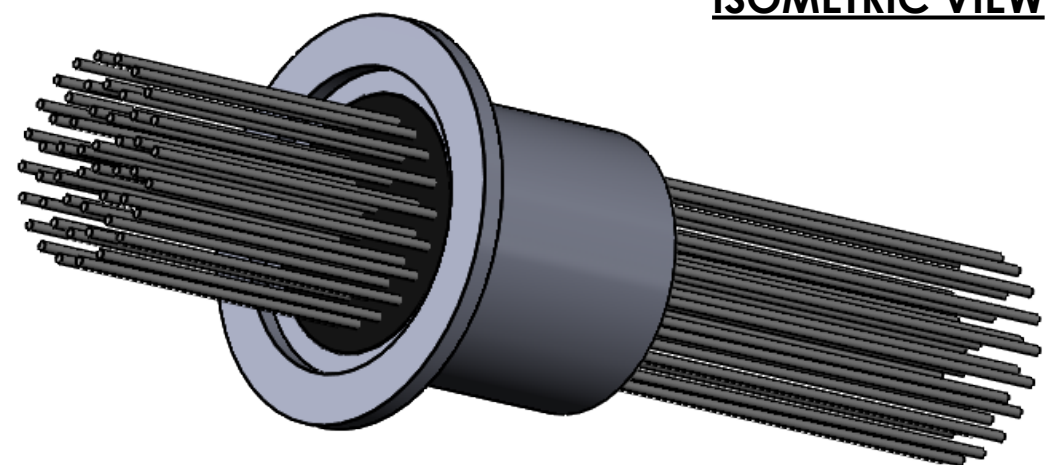
4

3

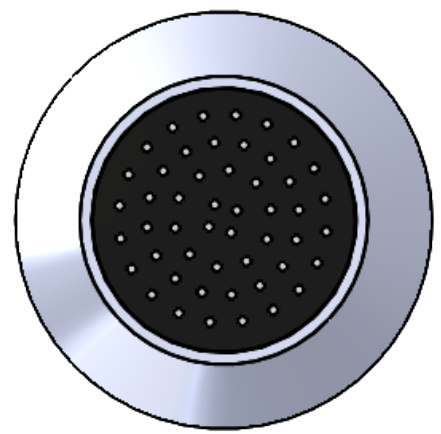
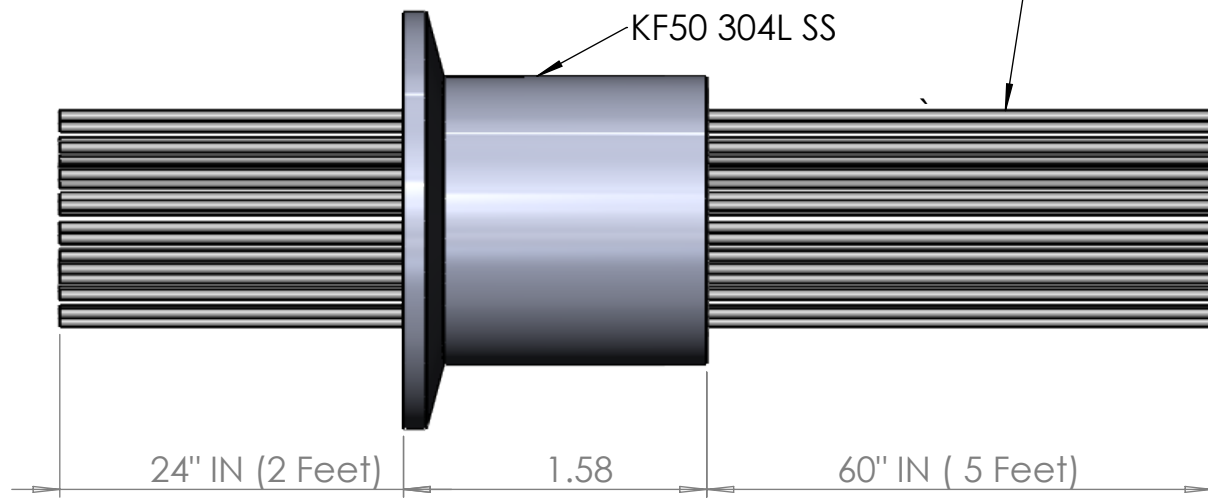
2

1

ISOMETRIC VIEW



(Qty. 50) Solid 22 AWG Teflon Insulated Wires



NOTES

- 1. Operating Temperature: -10°C to 60°C
- 2. Bake Out/ Max Temp Must Not Exceed 75 C for 2 Hours Continuous
- 3. Vacuum Leak Rate: 10⁻⁶ ATM.CC/Second
- 4. No Amp 30 Volt
- 5. Wire Color: Availability/ Optimal Leadtime*
- 6. Group Conductors in Pairs. 25 Pairs 50 conductors.
- 7. Label For Continuity

UNLESS OTHERWISE SPECIFIED:		NAME	DATE	BCE
DIMENSIONS ARE IN INCHES		DRAWN	A.M	
TOLERANCES:		CHECKED		
FRACTIONAL ±		ENG APPR.		
ANGULAR: MACH ±		MFG APPR.		TITLE: SApp 1
BEND ±		Q.A.		
TWO PLACE DECIMAL ±		COMMENTS:		SIZE DWG. NO. REV
THREE PLACE DECIMAL		THIS DRAWING IS FOR REFERENCE ONLY.		
INTERPRET GEOMETRIC TOLERANCING PER:		FINAL PRODUCT MAY DIFFER.		SCALE: NTS WEIGHT: N/A SHEET 1 OF 1
MATERIAL				
FINISH				
DO NOT SCALE DRAWING				

PROPRIETARY AND CONFIDENTIAL
 THE INFORMATION CONTAINED IN THIS DRAWING IS THE SOLE PROPERTY OF BELILOVE CO. ENGINEERS. ANY REPRODUCTION IN PART OR AS A WHOLE WITHOUT THE WRITTEN PERMISSION OF BELILOVE CO. ENGINEERS IS PROHIBITED.

4

3

2

1

B

B

A

A