

4

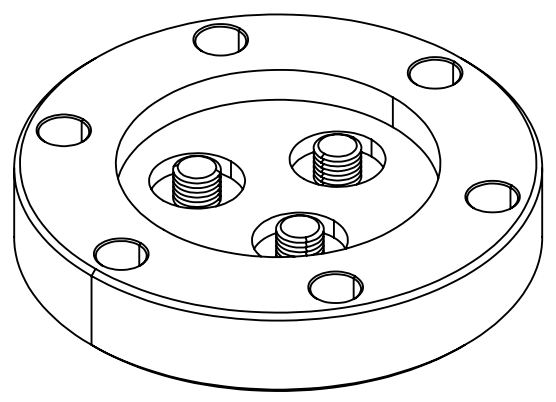
3

2

1

PLEASE SIGN TO APPROVE

SIGNATURE: _____/_____

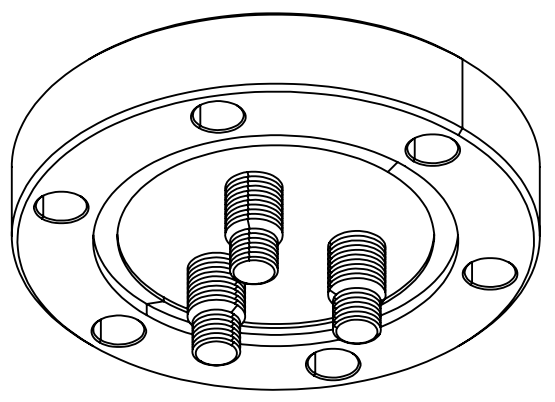


3 PIN SMA COAX
50 OHM MATCHED
IMPEDANCE TO 18GHZ

SS304
CF 2.75

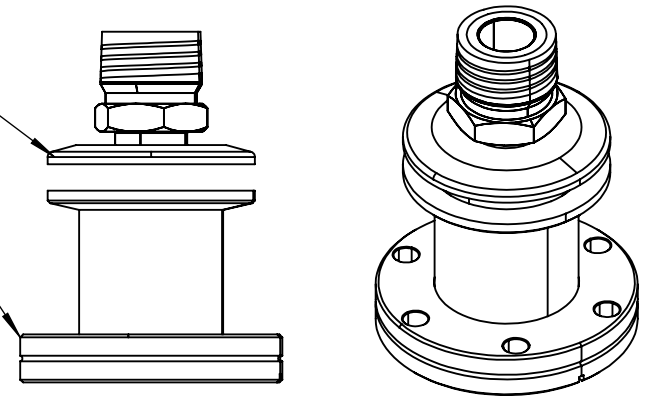
2X 1/4-36 THREAD

REDUCER ACCESSORY



KF(NW) TO 3/4" MPT

CF 2.75 TO KF(NW)40



NOTES:

- 1. ELECTRICAL: 1000 VOLTS DC, 1 AMP
- 2. TEMPERATURE RANGE: -55 TO 200 C
- 3. IMPEDANCE: 50 OHM (0-18 GHZ)
- 4. ALL ACCESSORIES NECESSARY INCLUDED

PROPRIETARY AND CONFIDENTIAL
 THE INFORMATION CONTAINED IN THIS DRAWING IS THE SOLE PROPERTY OF BELILOVE CO. ENGINEERS. ANY REPRODUCTION IN PART OR AS A WHOLE WITHOUT THE WRITTEN PERMISSION OF BELILOVE CO. ENGINEERS IS PROHIBITED.

UNLESS OTHERWISE SPECIFIED:	NAME	DATE
DIMENSIONS ARE IN INCHES	DRAWN	A.M
TOLERANCES:	CHECKED	
FRACTIONAL ±	ENG APPR.	
ANGULAR: MACH ±	MFG APPR.	
BEND ±	Q.A.	
TWO PLACE DECIMAL ±.020	COMMENTS:	
THREE PLACE DECIMAL ±.005	THIS DRAWING IS FOR REFERENCE ONLY.	
INTERPRET GEOMETRIC TOLERANCING PER:	FINAL PRODUCT MAY DIFFER.	
MATERIAL		
SEE DWG		
FINISH		
SEE DWG		
DO NOT SCALE DRAWING		

TITLE:		
COAX ASSEMBLY		
SIZE	DWG. NO.	REV
B	BCE11111	-
SCALE: NTS	WEIGHT: N/A	SHEET 1 OF 1

4

3

2

1

B

B

A

A