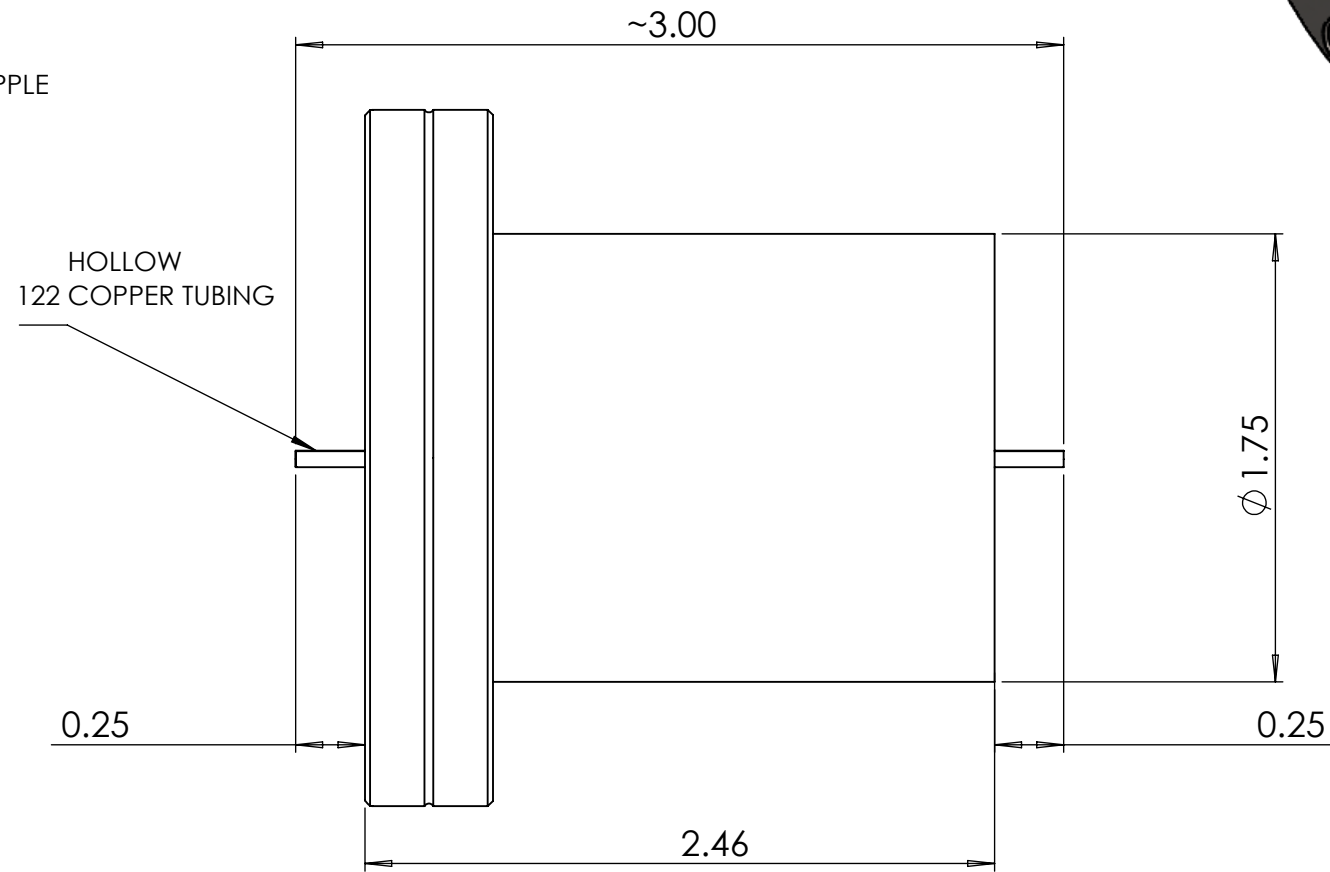
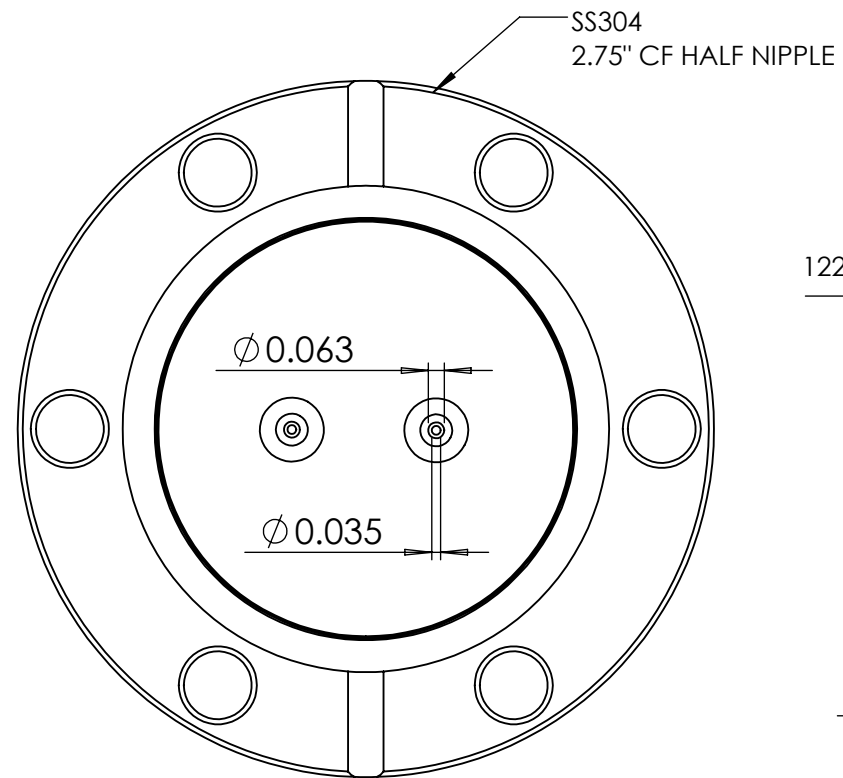
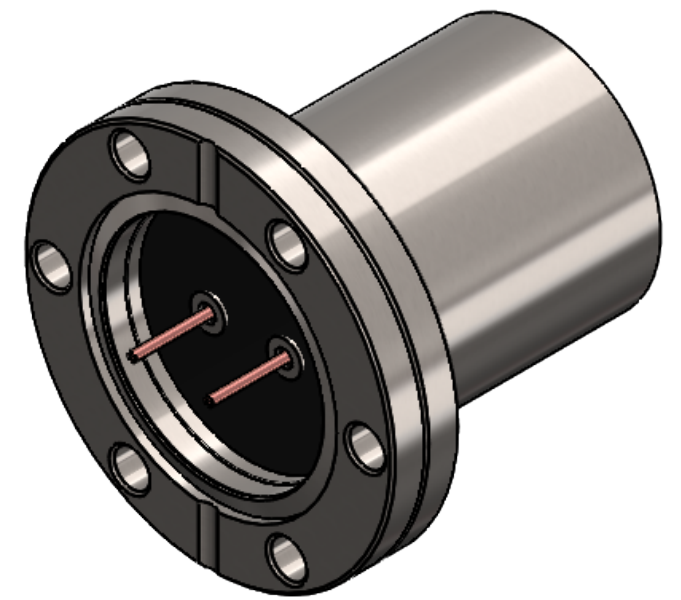


PROTOTYPE DESIGN REFERENCE:
INTERNAL DIMENSIONS MAY CHANGE



NOTES;

<p>The information given herein is based on data believed to be accurate, but BCE makes no expressed or implied warranties as to its accuracy and assumes no liability arising out of its use by others. This information does not constitute a license to use or infringe on any patents</p> <p>PROPRIETARY AND CONFIDENTIAL</p> <p>THE INFORMATION CONTAINED IN THIS DRAWING IS THE SOLE PROPERTY OF BELUOVE COMPANY ENGINEERS. ANY REPRODUCTION IN PART OR AS A WHOLE WITHOUT THE WRITTEN PERMISSION OF BELUOVE COMPANY ENGINEERS IS PROHIBITED.</p>	<p>UNLESS OTHERWISE SPECIFIED:</p> <p>DIMENSIONS ARE IN INCHES</p> <p>TOLERANCES:</p> <p>FRACTIONAL ±</p> <p>ANGULAR: MACH ± BEND ±</p> <p>TWO PLACE DECIMAL ± .020</p> <p>THREE PLACE DECIMAL ± .008</p>		
	<p>INTERPRET GEOMETRIC TOLERANCING PER:</p> <p>MATERIAL 304 SS</p> <p>FINISH N/A</p>	<p>TITLE: 2.75 CF HOLLOW COPPER CONDUCTOR FEEDTHRU</p>	
	<p>SIZE B</p>	<p>DWG. NO. BCE10923</p>	<p>REV -</p>
	<p>SCALE: N/A</p>	<p>WEIGHT: N/A</p>	<p>SHEET 1 OF 1</p>