

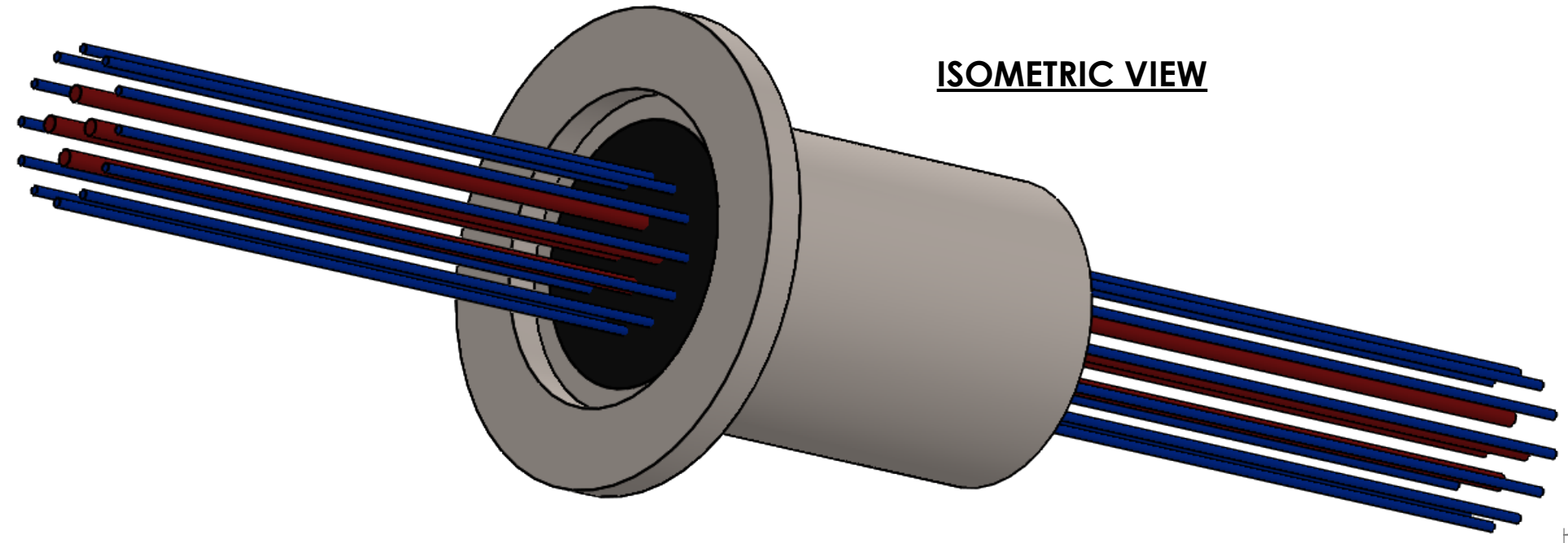
4

3

2

1

ISOMETRIC VIEW

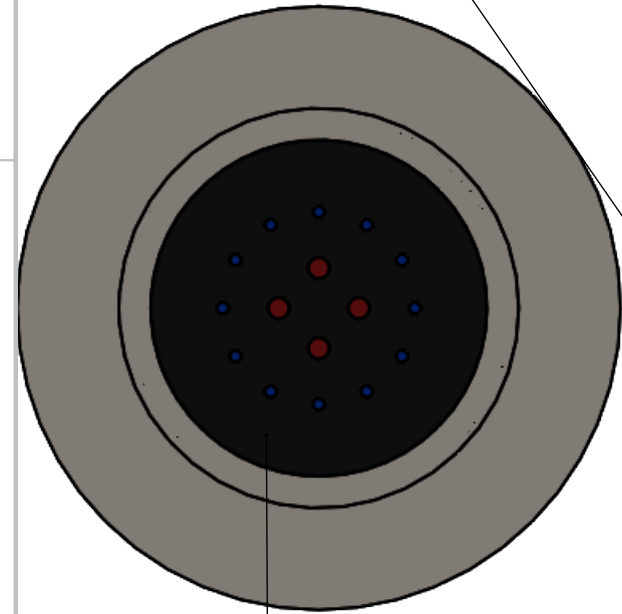


4x 20 AWG Solid Wire (Copper)
Teflon Insulated

6 In lead length

6 In lead length

K 25 Flange



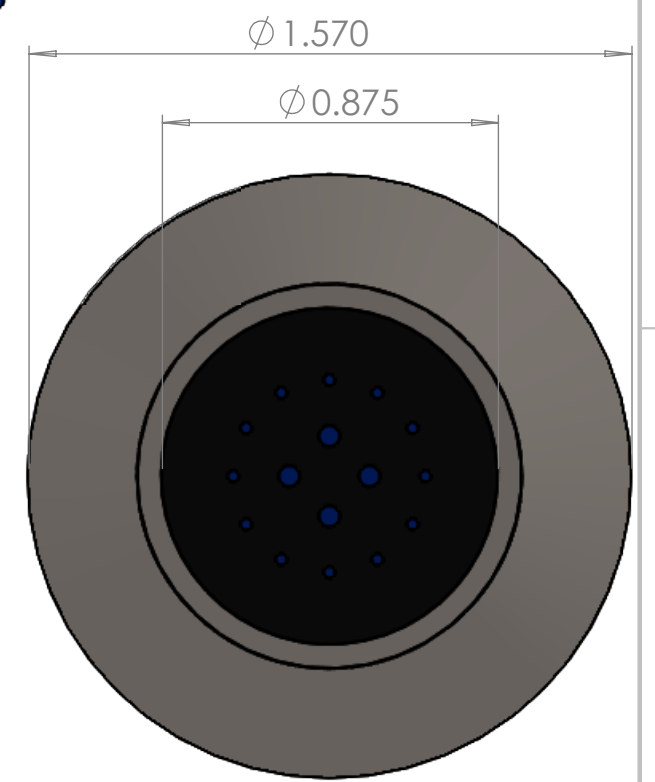
BCE EPOXY

6.00

1.58

6.00

12 X 24 AWG SOLID WIRE
FOR 6X T- THERMOCOUPLE
TEFLON INSULATED



$\phi 1.570$

$\phi 0.875$

B

B

A

A

NOTES

1. Temperature: 120 C
2. Max Vacuum Meets or Exceeds .01 Torr

UNLESS OTHERWISE SPECIFIED:		NAME	DATE
DIMENSIONS ARE IN INCHES		DRAWN	A.M 9/26/18
TOLERANCES:		CHECKED	
FRACTIONAL \pm		ENG APPR.	
ANGULAR: MACH \pm BEND \pm		MFG APPR.	
TWO PLACE DECIMAL \pm		Q.A.	
THREE PLACE DECIMAL		COMMENTS:	
INTERPRET GEOMETRIC TOLERANCING PER:		THIS DRAWING IS FOR REFERENCE ONLY.	
MATERIAL		FINAL PRODUCT MAY DIFFER.	
FINISH			
DO NOT SCALE DRAWING			

PROPRIETARY AND CONFIDENTIAL
 THE INFORMATION CONTAINED IN THIS DRAWING IS THE SOLE PROPERTY OF BELILOVE CO. ENGINEERS. ANY REPRODUCTION IN PART OR AS A WHOLE WITHOUT THE WRITTEN PERMISSION OF BELILOVE CO. ENGINEERS IS PROHIBITED.



TITLE:		
KF 25 Flng Feedthrough		
SIZE	DWG. NO.	REV
B	BCE10387	A
SCALE: NTS	WEIGHT: N/A	SHEET 1 OF 1

4

3

2

1