

4

3

2

1

2.75" CF Flange 304L SS

1X6
0.100" Pitch
6mm long
Male Pin Headers
2X6
0.100" Pitch
6mm long
Male Pin Headers

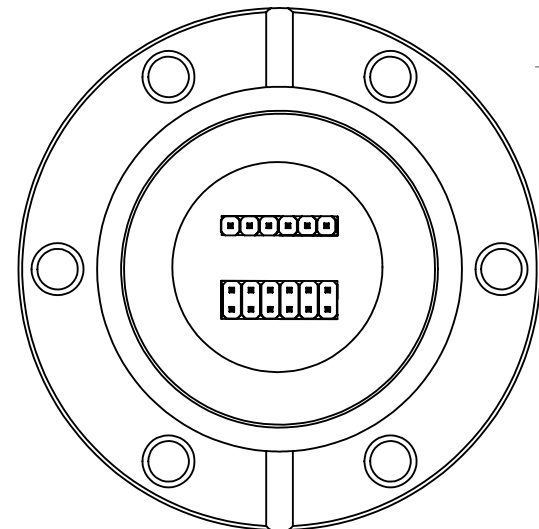
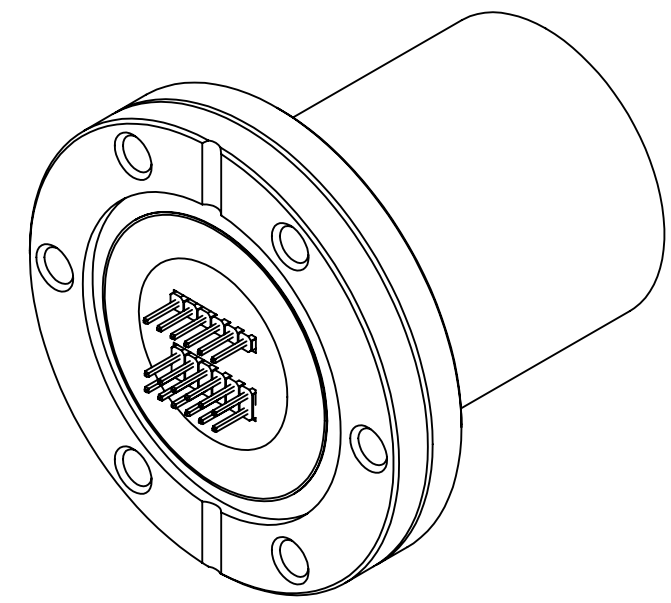
Ø 2.72

1.3

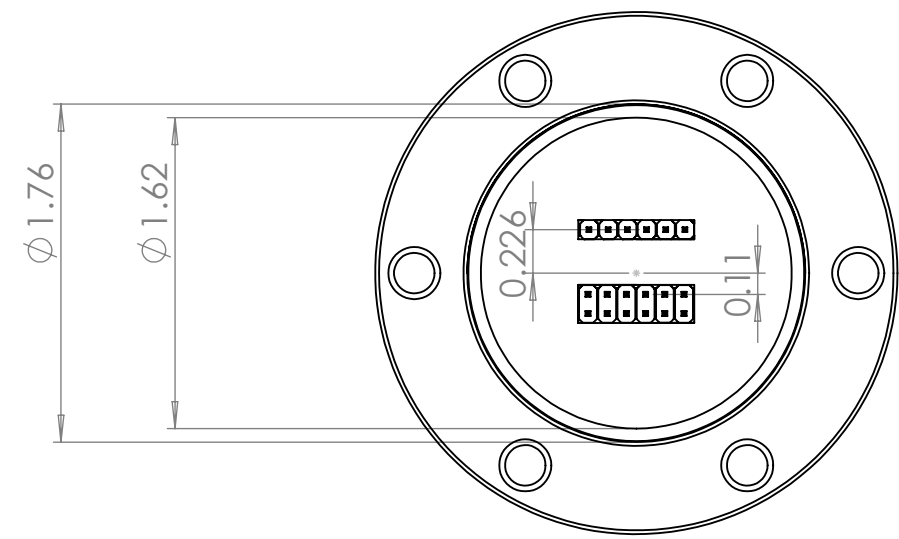
0.8

1X6
0.100" Pitch
6mm long
Male Pin Headers

2X6
0.100" Pitch
6mm long
Male Pin Headers



Vacuum Side



Atmosphere Side

Notes:

- 1. Operating Temperatures: 30F to 80F
- 2. Vacuum Rating: 10^{-2}

UNLESS OTHERWISE SPECIFIED:		NAME	DATE
DIMENSIONS ARE IN INCHES		DRAWN	A.M
TOLERANCES:		CHECKED	
FRACTIONAL ±		ENG APPR.	
ANGULAR: MACH ± BEND ±		MFG APPR.	
TWO PLACE DECIMAL ±		Q.A.	
THREE PLACE DECIMAL ±		COMMENTS:	
INTERPRET GEOMETRIC TOLERANCING PER:		THIS DRAWING IS FOR REFERENCE ONLY.	
MATERIAL		FINAL PRODUCT MAY DIFFER.	
FINISH			
DO NOT SCALE DRAWING			

PROPRIETARY AND CONFIDENTIAL
 THE INFORMATION CONTAINED IN THIS DRAWING IS THE SOLE PROPERTY OF BELILOVE CO. ENGINEERS. ANY REPRODUCTION IN PART OR AS A WHOLE WITHOUT THE WRITTEN PERMISSION OF BELILOVE CO. ENGINEERS IS PROHIBITED.



TITLE:		
MPin Header Feedthrough		
SIZE	DWG. NO.	REV
B	BCE10XX	2
SCALE: NTS	WEIGHT: N/A	SHEET 1 OF 1

4

3

2

1

B

B

A

A