

4

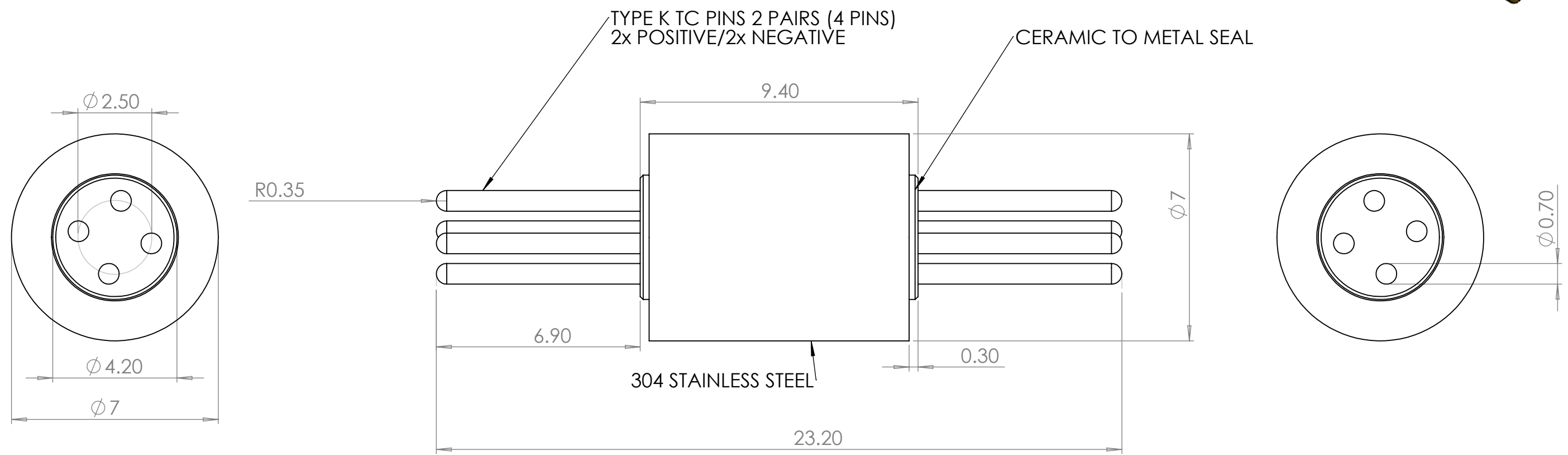
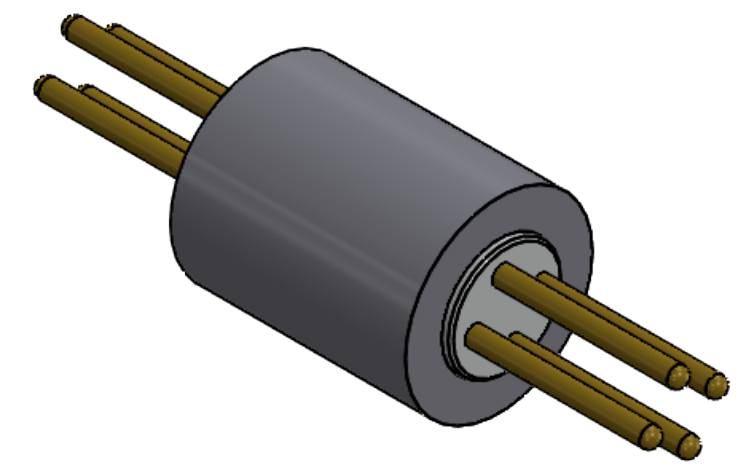
3

2

1

B

B



A

A

NOTES:

- 1. Operating Temperatures: -20C to 150 C
- 2. Vacuum Leak Rating: 10^{-9} ATM-CC/Sec

UNLESS OTHERWISE SPECIFIED:	NAME	DATE
DIMENSIONS ARE IN MM	DRAWN	A.M
TOLERANCES:	CHECKED	
FRACTIONAL: ±	ENG APPR.	
ANGULAR: MACH ± BEND ±	MFG APPR.	
TWO PLACE DECIMAL ±	Q.A.	
THREE PLACE DECIMAL ±	COMMENTS:	
INTERPRET GEOMETRIC TOLERANCING PER:	THIS DRAWING IS FOR REFERENCE ONLY.	
MATERIAL	FINAL PRODUCT MAY DIFFER.	
FINISH		
DO NOT SCALE DRAWING		

PROPRIETARY AND CONFIDENTIAL
 THE INFORMATION CONTAINED IN THIS DRAWING IS THE SOLE PROPERTY OF BELILOVE CO. ENGINEERS. ANY REPRODUCTION IN PART OR AS A WHOLE WITHOUT THE WRITTEN PERMISSION OF BELILOVE CO. ENGINEERS IS PROHIBITED.



TITLE:
TYPE K TC WELDABLE

SIZE	DWG. NO.	REV
B	BCE10793	-
SCALE: NTS	WEIGHT: N/A	SHEET 1 OF 1

4

3

2

1