

4

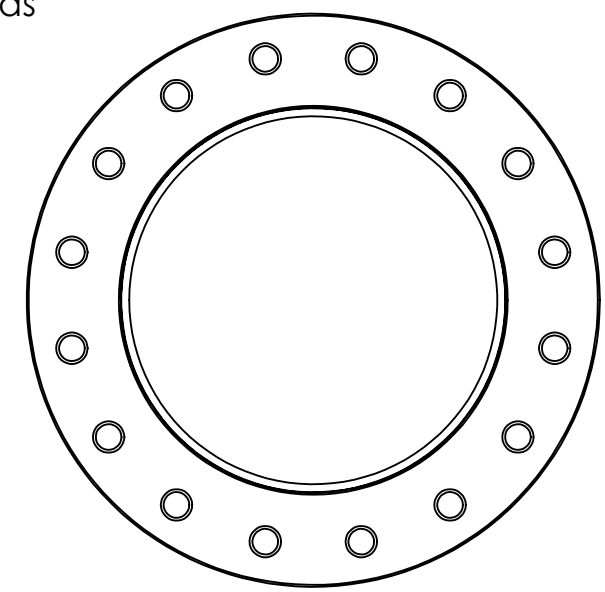
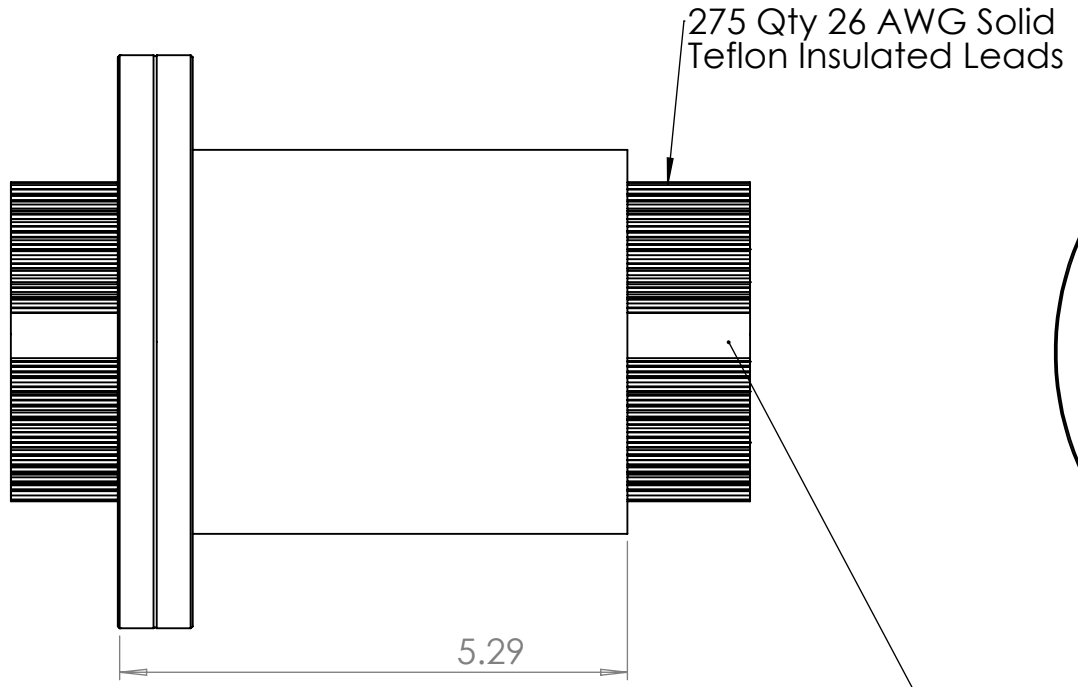
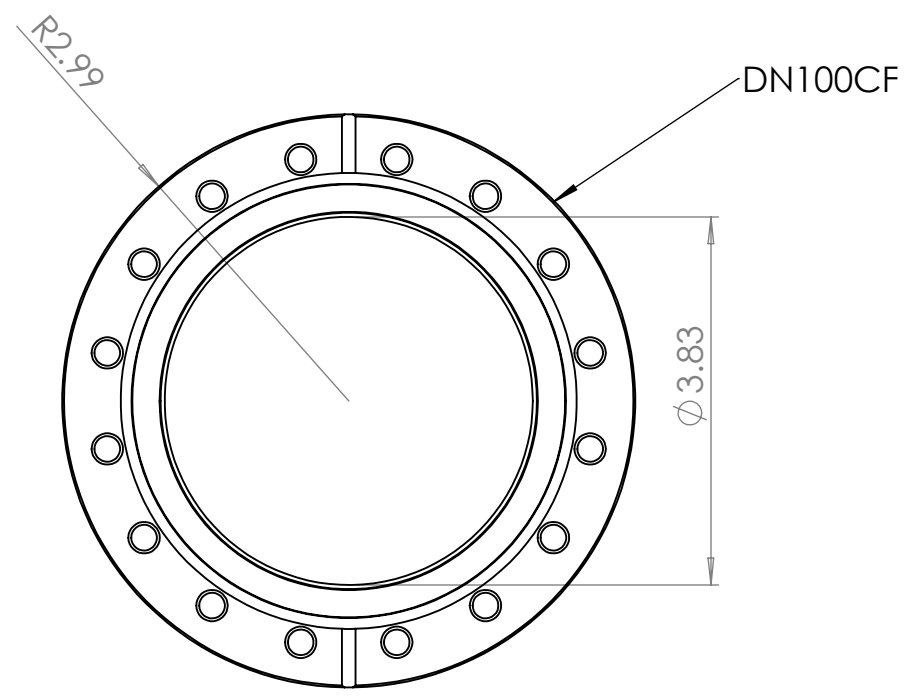
3

2

1

B

B



2 Qty 12mm OD 1MM Thickness 304L/316L SS Tube

A

A

Notes:

- 1. Operating Temperature: -60 to 50 C
- 2. Vacuum Leak Rating: 10^{-6} ATM-CC/Sec

UNLESS OTHERWISE SPECIFIED:		NAME	DATE
DIMENSIONS ARE IN INCHES		DRAWN	A.M
TOLERANCES:		CHECKED	
FRACTIONAL \pm		ENG APPR.	
ANGULAR: MACH \pm BEND \pm		MFG APPR.	
TWO PLACE DECIMAL \pm		Q.A.	
THREE PLACE DECIMAL \pm		COMMENTS:	
INTERPRET GEOMETRIC TOLERANCING PER:		THIS DRAWING IS FOR REFERENCE ONLY.	
MATERIAL	SEE DWG	FINAL PRODUCT MAY DIFFER.	
FINISH	SEE DWG		
DO NOT SCALE DRAWING			

PROPRIETARY AND CONFIDENTIAL
 THE INFORMATION CONTAINED IN THIS DRAWING IS THE SOLE PROPERTY OF BELILOVE CO. ENGINEERS. ANY REPRODUCTION IN PART OR AS A WHOLE WITHOUT THE WRITTEN PERMISSION OF BELILOVE CO. ENGINEERS IS PROHIBITED.



TITLE:			
Feedthrough			
SIZE	DWG. NO.	REV	
B	TBD	1	
SCALE: NTS	WEIGHT: N/A	SHEET 1 OF 1	

4

3

2

1