

4

3

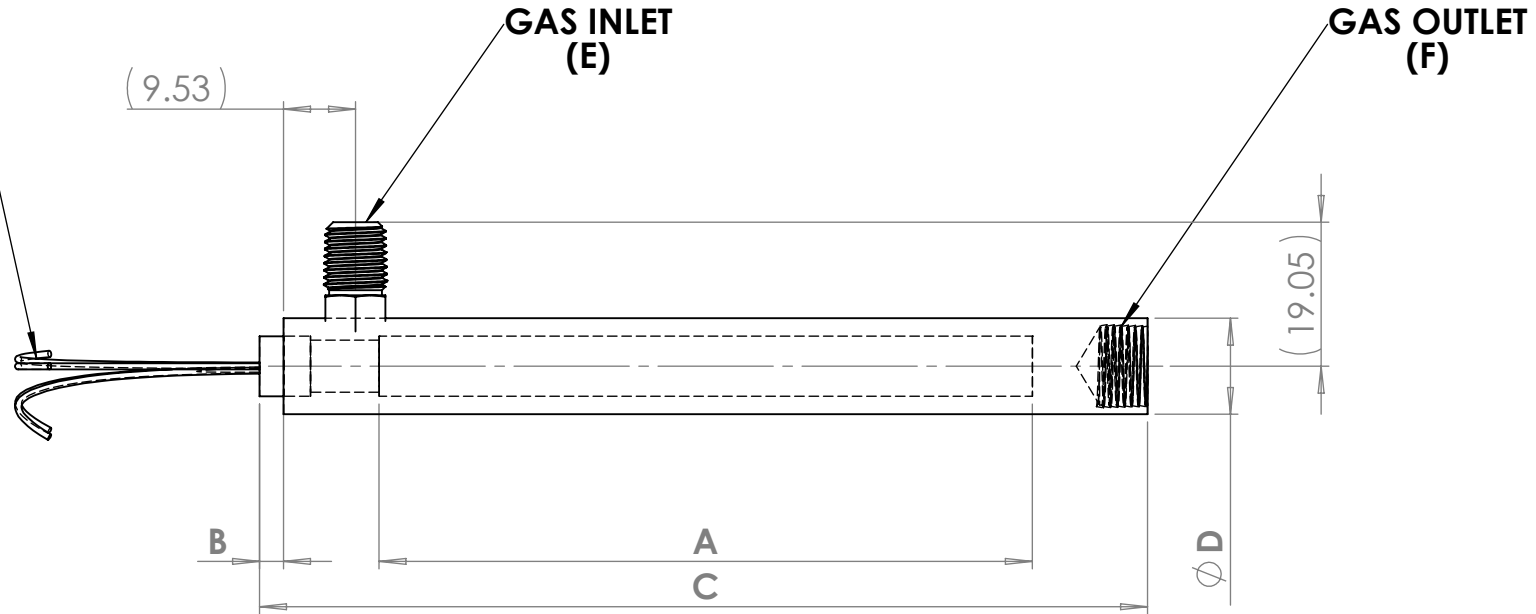
2

1

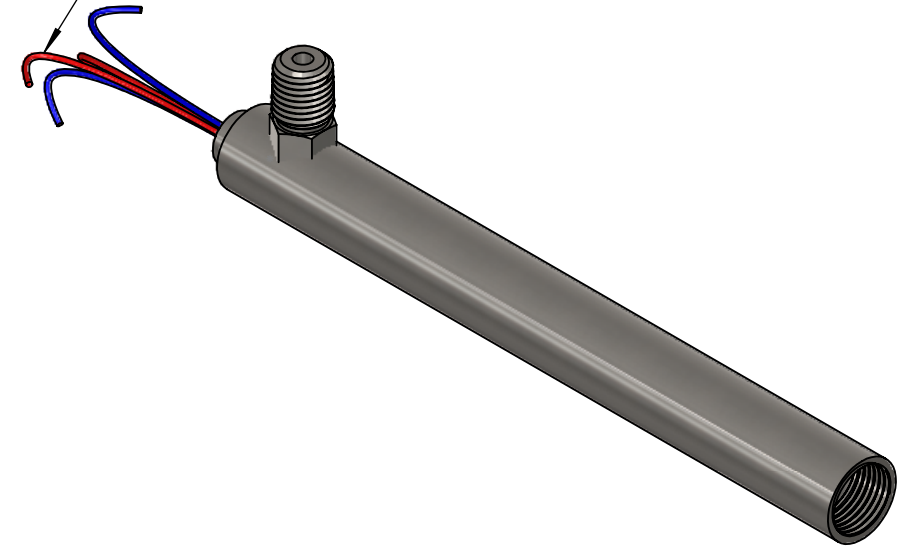
B

B

TEFLON OR FIBERGLASS LEADS

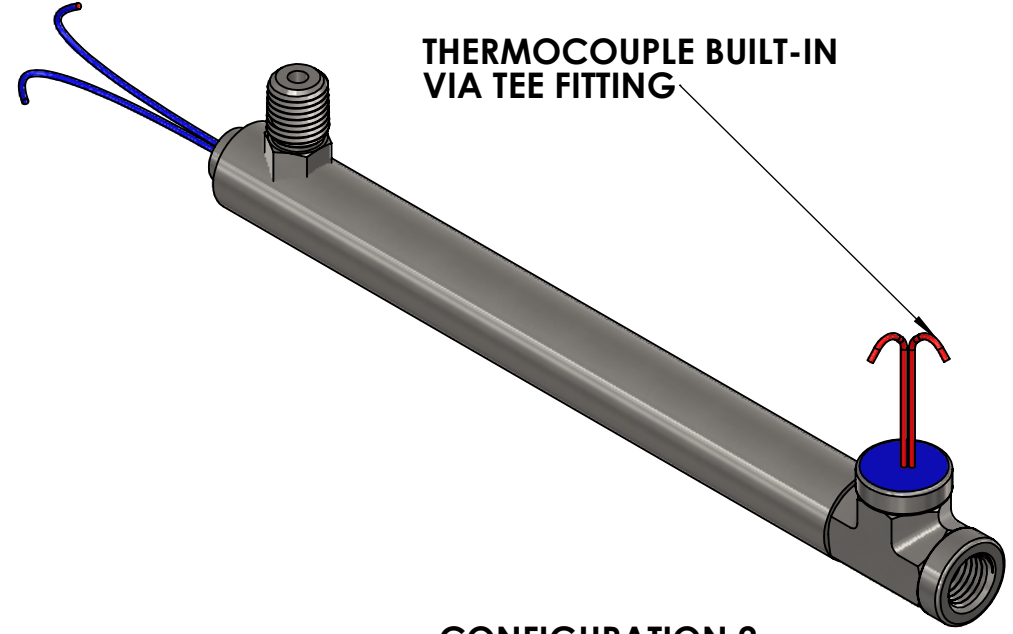


BUILT-IN THERMOCOUPLE



CONFIGURATION 1

THERMOCOUPLE BUILT-IN VIA TEE FITTING



CONFIGURATION 2


NOTES:

1. BUILT-IN THERMOCOUPLE; SEE CONFIGURATIONS
2. DESIGNED FOR HEATING OF CLEAN GAS
3. GAS FLOW INSIDE AN ENCLOSED HEATED BODY; NOT EXPOSED TO RESISTIVE ELEMENTS (NiCr)
4. ALL PARTS EXPOSED TO GAS FLOW ARE CONSTRUCTED OF 304 SS (OTHER MATERIAL AVAILABLE)
5. ALL DIMENSIONS (A TO F) ARE CUSTOMER SPECIFIED
6. FITTINGS FOR THE INLET/OUTLET (E,F) ARE AVAILABLE AS NPT, SAE, BSP & VCR

A

A

PROPRIETARY AND CONFIDENTIAL
 THE INFORMATION CONTAINED IN THIS DRAWING IS THE SOLE PROPERTY OF <INSERT COMPANY NAME HERE>. ANY REPRODUCTION IN PART OR AS A WHOLE WITHOUT THE WRITTEN PERMISSION OF <INSERT COMPANY NAME HERE> IS PROHIBITED.

		UNLESS OTHERWISE SPECIFIED:		NAME	DATE	 TITLE: MINI CLEAN FLOW HEATER
		DIMENSIONS ARE IN MILLIMETERS		DRAWN	FATIMA SYED 11/4/16	
		TOLERANCES:		CHECKED		
		FRACTIONAL ±		ENG APPR.		
		ANGULAR: MACH ± BEND ±		MFG APPR.		
		TWO PLACE DECIMAL ± 0.25		Q.A.		
		THREE PLACE DECIMAL ±		COMMENTS:		
		INTERPRET GEOMETRIC TOLERANCING PER:				
		MATERIAL				
		SEE NOTE 4				
NEXT ASSY	USED ON	FINISH				
APPLICATION		DO NOT SCALE DRAWING				
SIZE	DWG. NO.	REV				
B	MHC4828	A				
SCALE: 1:1		WEIGHT:	SHEET 1 OF 1			

4

3

2

1