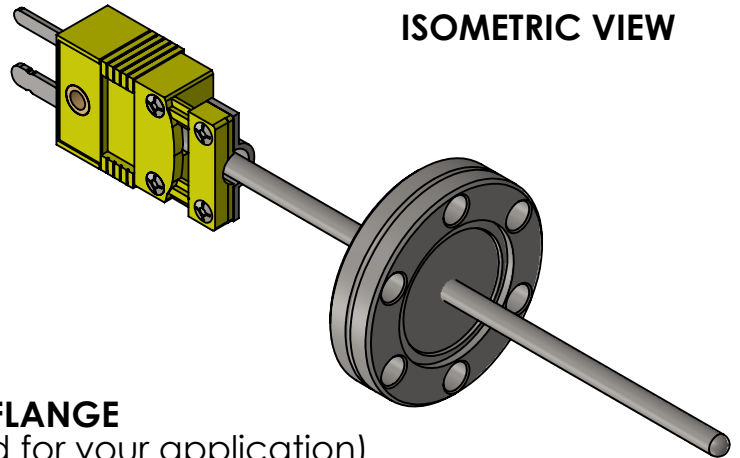


2

1

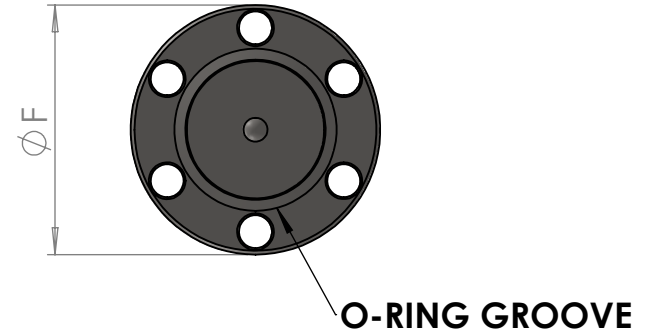
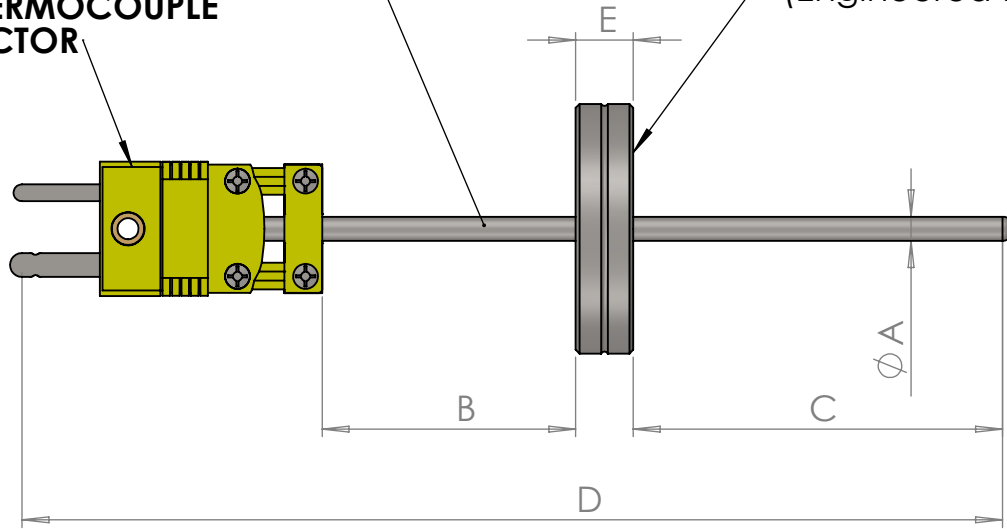
B

B



**304 SS THERMOCOUPLE TYPE K
MINI THERMOCOUPLE
CONNECTOR**

304L SS CF FLANGE
(Engineered for your application)



NOTES:

1. Built-in thermocouple. Multiple options and materials available
2. All dimensions (A to F) are customer specified
3. Maximum Operating Temperature: 871 °C

PROPRIETARY AND CONFIDENTIAL
THE INFORMATION CONTAINED IN THIS DRAWING IS THE SOLE PROPERTY OF BELILOVE CO. ENGINEERS. ANY REPRODUCTION IN PART OR AS A WHOLE WITHOUT THE WRITTEN PERMISSION OF BELILOVE CO. ENGINEERS IS PROHIBITED.

UNLESS OTHERWISE SPECIFIED:

DIMENSIONS ARE IN MILLIMETERS
TOLERANCES:
FRACTIONAL ±
ANGULAR: MACH ± BEND ±
TWO PLACE DECIMAL ±
THREE PLACE DECIMAL ±

INTERPRET GEOMETRIC TOLERANCING PER:

MATERIAL SEE DWG

FINISH SEE DWG

DO NOT SCALE DRAWING



TITLE:
**THERMOCOUPLE
VACUUM
FEEDTHROUGH**

SIZE	DWG. NO.	REV
A	BCE10002	A

SCALE: NTS	WEIGHT: N/A	SHEET 1 OF 1
------------	-------------	--------------

2

1

A

A