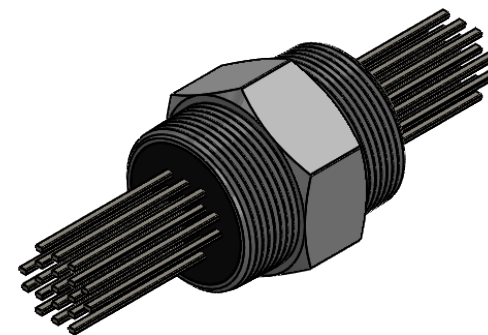


2

1

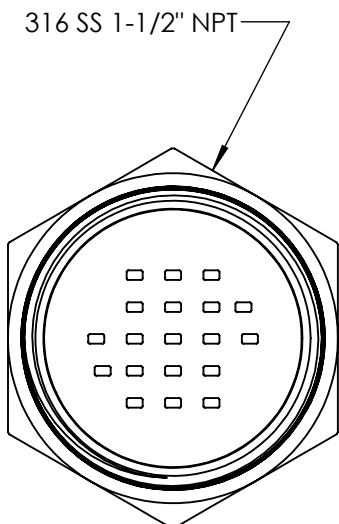
PLEASE SIGN TO APPROVE

X _____ / _____



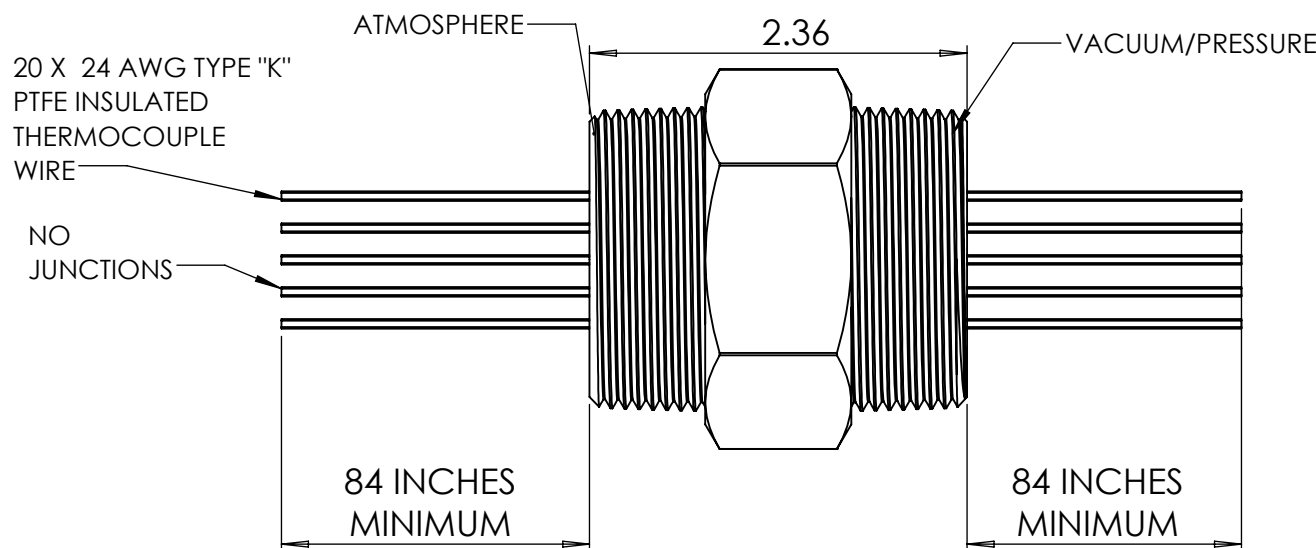
B

B



NOTES:

1. -30C TO 55 C OPERATING TEMPERATURE OF FEEDTHROUGH SEAL
2. LEAK TEST: 90PSI, NO AIR BUBBLES 3 MINUTES
3. NO TC JUNCTIONS/CONNECTION WIRE ONLY
4. 0.5"(+0.1/-0) NOMINAL & 0.1"(+0.05/-0) INDIVIDUAL JACKET STRIP
5. ALL TESTS PERFORMED AT ROOM TEMP



A

A

The information given herein is based on data believed to be accurate, but BCE makes no expressed or implied warranties as to its accuracy and assumes no liability arising out of its use by others. This information does not constitute a license to use or infringe on any patents

PROPRIETARY AND CONFIDENTIAL
 THE INFORMATION CONTAINED IN THIS DRAWING IS THE SOLE PROPERTY OF BELLOVE CO. ENGINEERS. ANY REPRODUCTION IN PART OR AS A WHOLE WITHOUT THE WRITTEN PERMISSION OF BELLOVE CO. ENGINEERS IS PROHIBITED.

UNLESS OTHERWISE SPECIFIED:
 DIMENSIONS ARE IN INCHES
 TOLERANCES:
 FRACTIONAL ±
 ANGULAR: MACH ± BEND ±
 TWO PLACE DECIMAL ± .050
 THREE PLACE DECIMAL ± .009

INTERPRET GEOMETRIC TOLERANCING PER:
 MATERIAL SEE DWG
 FINISH N/A
 DO NOT SCALE DRAWING

PART. NO.



TITLE:

20X TC FEEDTHROUGH

SIZE **A**

DWG. NO. BCE11107

REV -

SCALE: NTS WEIGHT: N/A SHEET 1 OF 1

2

1