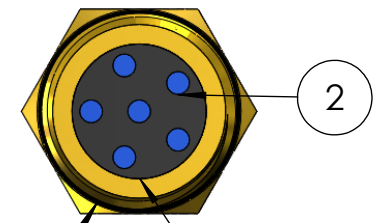
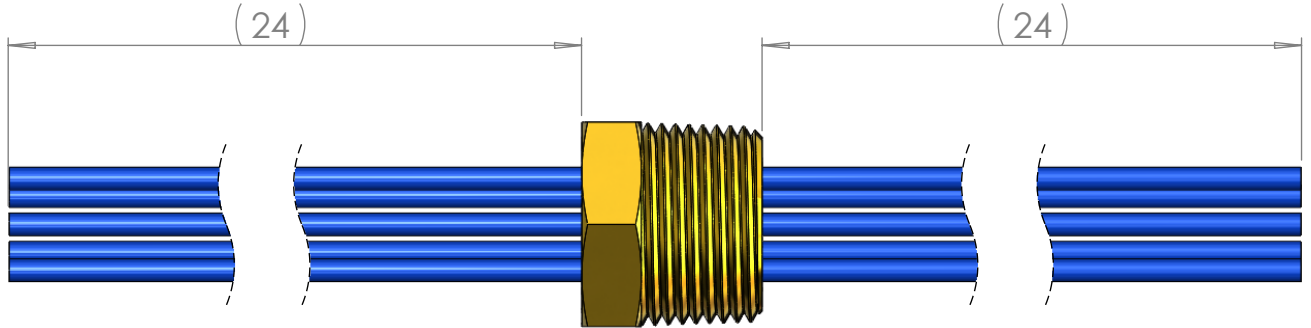


2

1

B

B



SEE SHT 2 FOR DETAILS

ITEM NO.	PART NUMBER	DESCRIPTION	QTY.
1	BCE10281	BRASS, 3/4" NPT THREADED FITTING	1
2	BCE10293	12 AWG TEFLON INS. WIRE	6
3	/EPOXY	BCE EPOXY SEAL, BLACK	A/N

A

A

UNLESS OTHERWISE SPECIFIED:

DIMENSIONS ARE IN INCHES
 TOLERANCES:
 FRACTIONAL ±
 ANGULAR: MACH ± BEND ±
 TWO PLACE DECIMAL ± .010
 THREE PLACE DECIMAL ± .005

INTERPRET GEOMETRIC TOLERANCING PER:

MATERIAL SEE BOM

FINISH N/A

DO NOT SCALE DRAWING



TITLE:
6 WIRE FEEDTHROUGH

SIZE DWG. NO. REV
A BCE10295 1

SCALE: 1:1 WEIGHT: N/A SHEET 1 OF 2

PROPRIETARY AND CONFIDENTIAL
 THE INFORMATION CONTAINED IN THIS DRAWING IS THE SOLE PROPERTY OF BCE INC. ANY REPRODUCTION IN PART OR AS A WHOLE WITHOUT THE WRITTEN PERMISSION OF BCE INC. IS PROHIBITED.

NOTE

1. THIS DRAWING IS FOR REF. ONLY

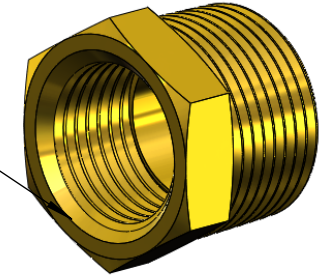
2

1

2

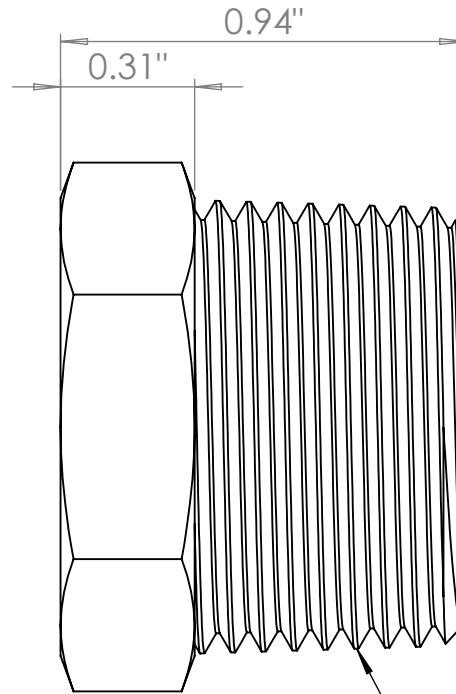
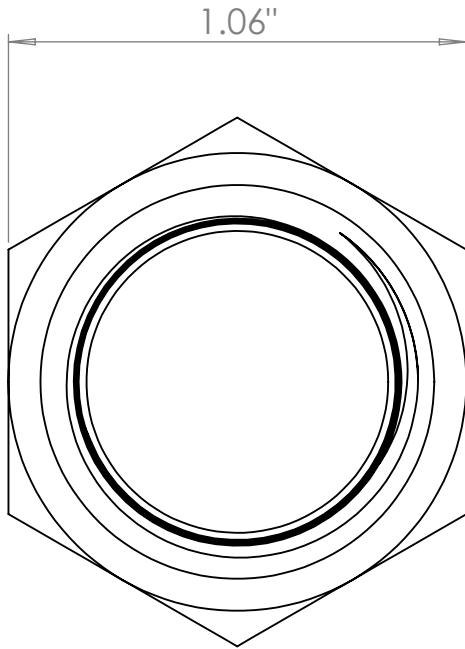
1

1/2 NPT Pipe Size, 14 Threads Per Inch,
0.53" Thread Engagement



B

B



3/4 NPT Pipe Size, 14 Threads Per Inch,
0.55" Thread Engagement

A

A

UNLESS OTHERWISE SPECIFIED:

DIMENSIONS ARE IN INCHES
TOLERANCES:
FRACTIONAL ±
ANGULAR: MACH ± BEND ±
TWO PLACE DECIMAL ± .010
THREE PLACE DECIMAL ± .005

INTERPRET GEOMETRIC
TOLERANCING PER:

MATERIAL

BRASS

FINISH

N/A

DO NOT SCALE DRAWING



TITLE:

BRASS, 3/4" NPT
THREADED FITTING

SIZE

A

DWG. NO.

BCE10295

REV

1

SCALE: NTS

WEIGHT: N/A

SHEET 2 OF 2

PROPRIETARY AND CONFIDENTIAL

THE INFORMATION CONTAINED IN THIS
DRAWING IS THE SOLE PROPERTY OF
BCE INC. ANY REPRODUCTION IN PART
OR AS A WHOLE WITHOUT THE WRITTEN
PERMISSION OF BCE INC. IS PROHIBITED.

2

1