

4

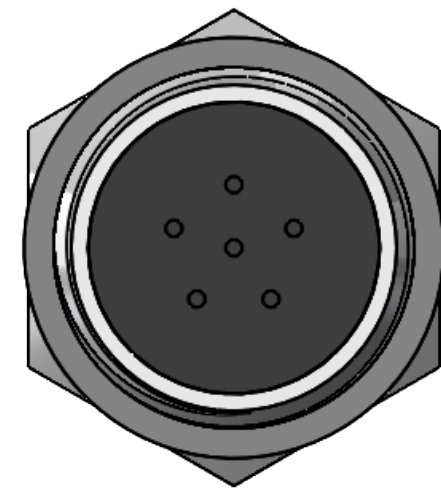
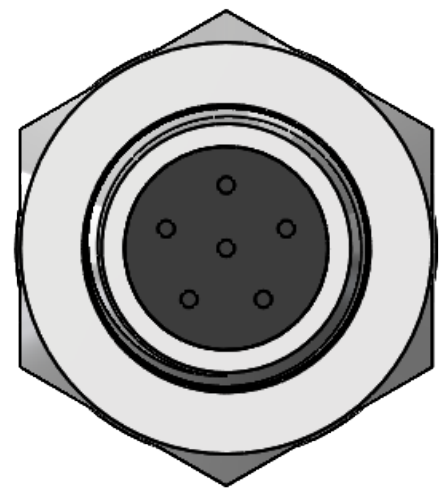
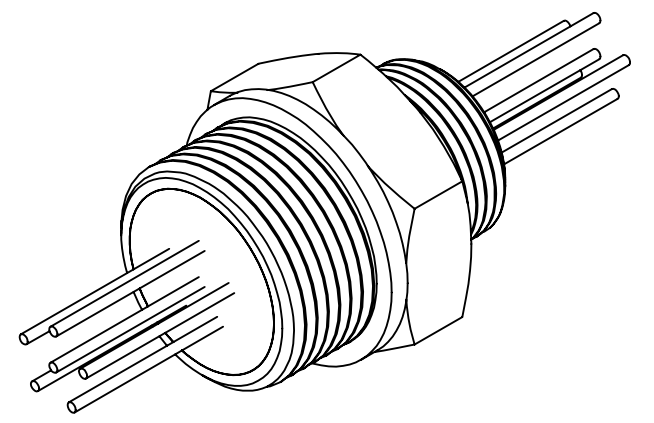
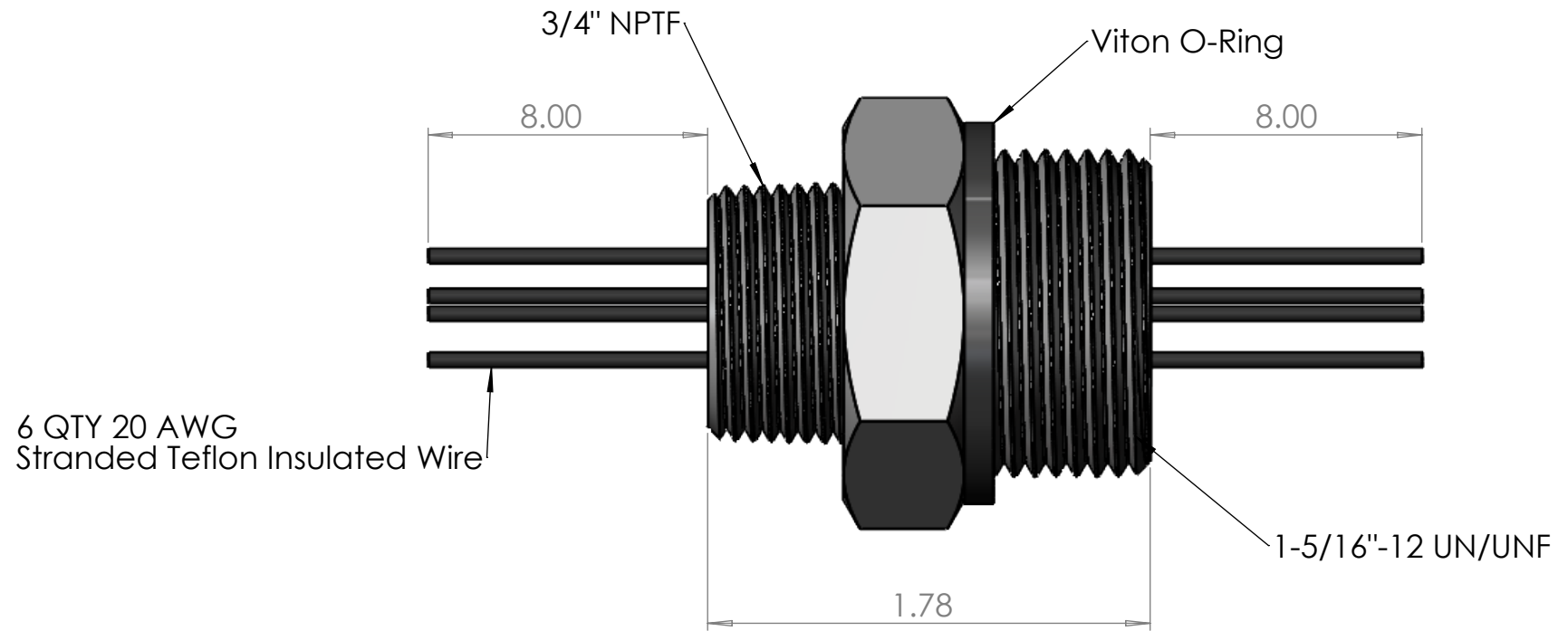
3

2

1

B

B



A

A

**NOTES:**

1. Operating Temperatures: -20C to -40C
2. Electrical Specs: 9 Amps, 14 Volts
3. Vacuum Leak Rating:  $10^{-7}$  ATM-CC/Sec
4. Stainless Steel 316 Fitting

UNLESS OTHERWISE SPECIFIED:		NAME	DATE
DIMENSIONS ARE IN INCHES		DRAWN	A.M
TOLERANCES:		CHECKED	
FRACTIONAL ±		ENG APPR.	
ANGULAR: MACH ± BEND ±		MFG APPR.	
TWO PLACE DECIMAL ±		Q.A.	
THREE PLACE DECIMAL ±		COMMENTS:	
INTERPRET GEOMETRIC TOLERANCING PER:		THIS DRAWING IS FOR REFERENCE ONLY.	
MATERIAL		FINAL PRODUCT MAY DIFFER.	
FINISH			
DO NOT SCALE DRAWING			

**PROPRIETARY AND CONFIDENTIAL**  
 THE INFORMATION CONTAINED IN THIS DRAWING IS THE SOLE PROPERTY OF BELILOVE CO. ENGINEERS. ANY REPRODUCTION IN PART OR AS A WHOLE WITHOUT THE WRITTEN PERMISSION OF BELILOVE CO. ENGINEERS IS PROHIBITED.



TITLE:  
**6 Wire Feedthrough**

SIZE	DWG. NO.	REV
<b>B</b>	<b>BCE10646</b>	-
SCALE: NTS	WEIGHT: N/A	SHEET 1 OF 1

4

3

2

1