

4

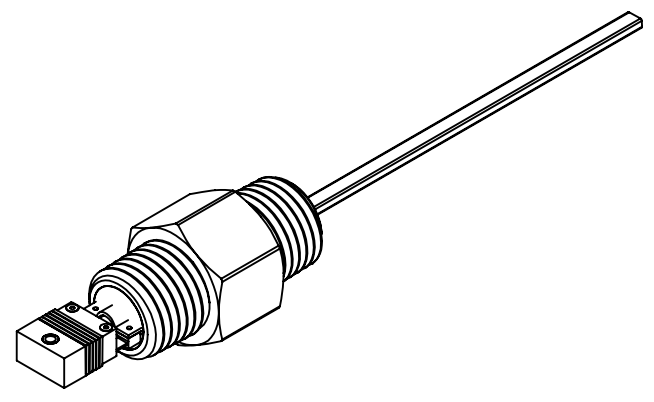
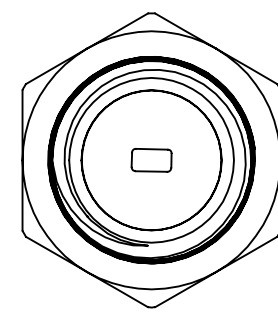
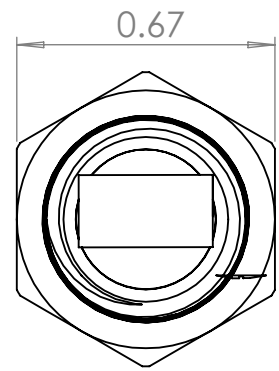
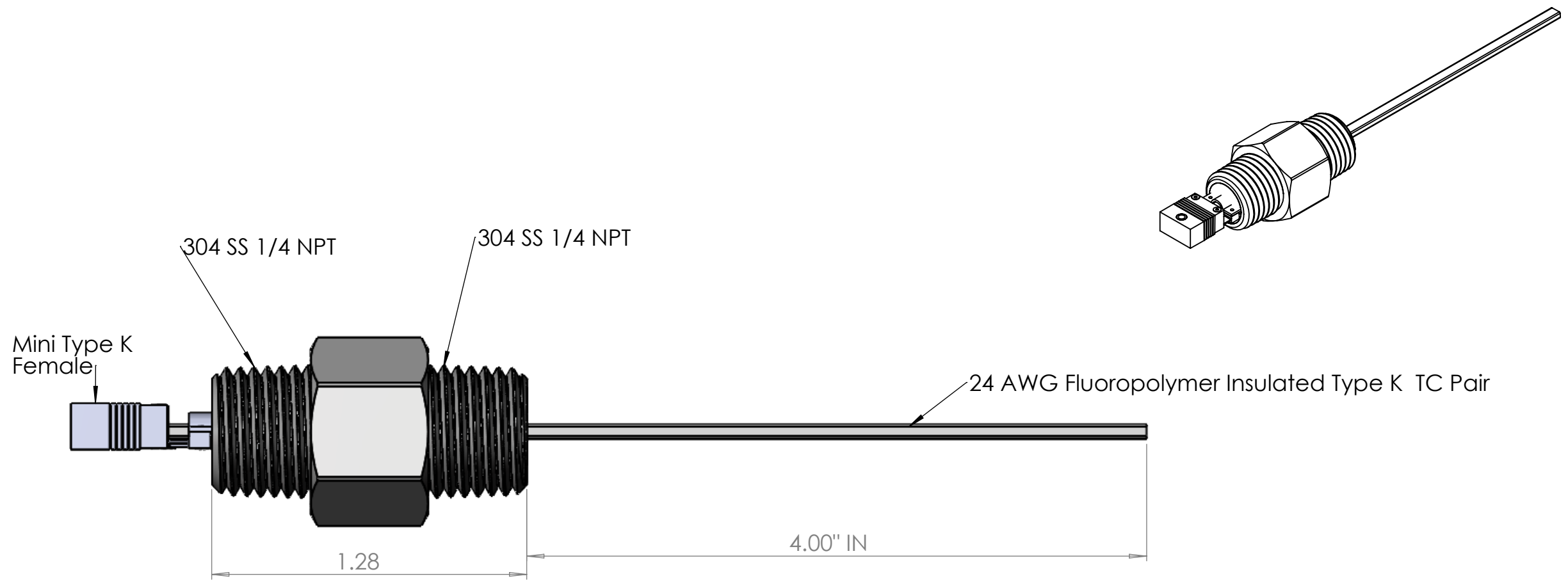
3

2

1

B

B



A

A

Notes:

- 1. Operating Temperatures: -25C to 50C

UNLESS OTHERWISE SPECIFIED:		NAME	DATE
DIMENSIONS ARE IN INCHES		DRAWN	A.M
TOLERANCES:		CHECKED	
FRACTIONAL ±		ENG APPR.	
ANGULAR: MACH ± BEND ±		MFG APPR.	
TWO PLACE DECIMAL ±		Q.A.	
THREE PLACE DECIMAL ±		COMMENTS:	
INTERPRET GEOMETRIC TOLERANCING PER:		THIS DRAWING IS FOR REFERENCE ONLY.	
MATERIAL		FINAL PRODUCT MAY DIFFER.	
FINISH			
DO NOT SCALE DRAWING			

**PROPRIETARY AND CONFIDENTIAL**  
 THE INFORMATION CONTAINED IN THIS DRAWING IS THE SOLE PROPERTY OF BELILOVE CO. ENGINEERS. ANY REPRODUCTION IN PART OR AS A WHOLE WITHOUT THE WRITTEN PERMISSION OF BELILOVE CO. ENGINEERS IS PROHIBITED.



TITLE:  
 Type K NPT Feedthrough

SIZE	DWG. NO.	REV
<b>B</b>	<b>BCE10498</b>	<b>1</b>

SCALE: NTS WEIGHT: N/A SHEET 1 OF 1

4

3

2

1